



KEY FEATURES

- Up to 28,800 lumens per module.
- Watertight, lightweight, actively cooled, and modular.
- Redundant systems and thermal management for reliability.
- Light engine and power supply area sealed to IP66.
- Small form factor for reduced wind loading.
- Multiple optical profiles.

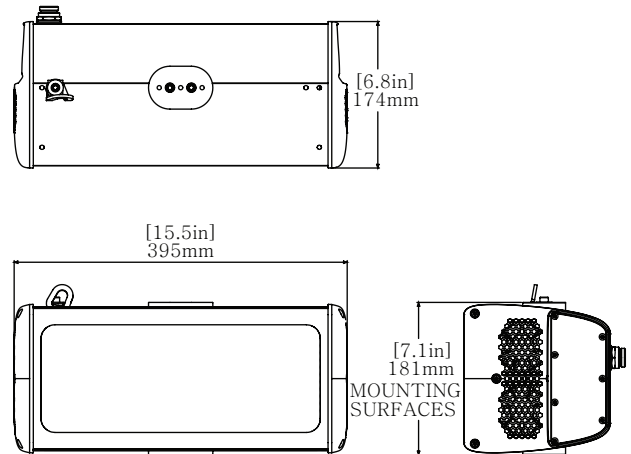


TECHNICAL SPECIFICATIONS / MAXIMUM RATINGS

| | |
|---------------------------|---|
| HOUSING | Die-cast Powder Coated & Anodized Extruded Aluminium |
| MOUNTING | Yoke Mount or Custom See Page 3 for DETAILS |
| VOLTAGE MAXIMUM | 277VAC |
| INPUT VOLTAGE | 120-277VAC (50/60 Hz) |
| RATED POWER | ZLM: 296W ZLM2: 592W |
| RATED CURRENT | ZLM: 2.5A ZLM2: 4.9A |
| CONNECTIONS | S: Turck MiniFast quick connect with 3m (10') lead D: 3m (10') 5 conductor flying lead (Custom lengths available) |
| TEMPERATURE RANGE | -40°C to +45°C (Case ~30°C above ambient) |
| CERTIFICATIONS | Certified to UL 1598; CSA 22.2 No. 250.0; CSA 22.2 No. 250.13 |
| INGRESS PROTECTION | IP66 Suitable for wet locations |
| COLOUR TEMP RANGE | 50: 5000K Special Order: 2700-6500K |
| CRI VALUE (MIN) | 50: 70 High CRI options available on request |
| TOTAL LUMENS | Up to 28,800 lm See Page 2 for DETAILS |
| LUMEN MAINTENANCE | LM-80 > 60,500 hrs (Based on CREE long term testing) |
| WEIGHT | ZLM: 12.7 kg (28 lbs) ZLM2: 24.7 kg (54.5 lbs) |

*The ambient temperature during lifetime, lumen and chromaticity determination is 25°C ± 1°C.

DIMENSIONS

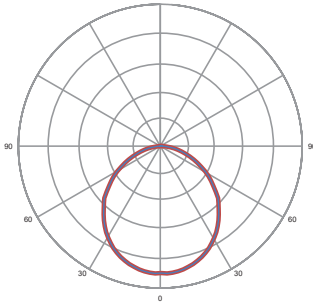


WARRANTY

Five (5) year limited warranty to the original purchaser. The warranty covers defects in materials and workmanship under normal use and service.

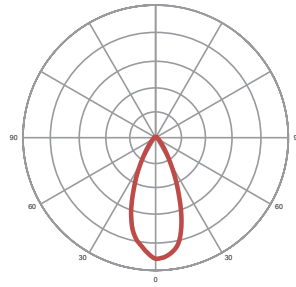
For additional information see:
<https://nemalux.com/legal>

OPTIC OPTIONS



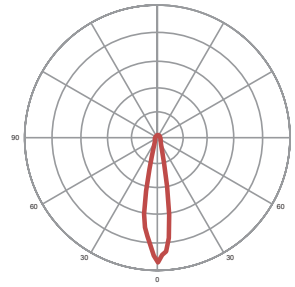
W - Wide 125°

| MODEL | LUMENS |
|-------|--------|
| ZLM | 26270 |
| ZLM2 | 52530 |



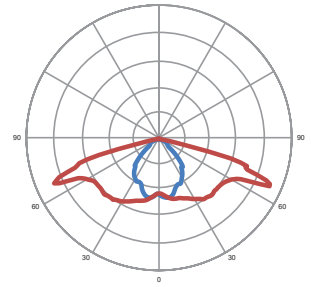
M - Medium 40°

| MODEL | LUMENS |
|-------|--------|
| ZLM | 24850 |
| ZLM2 | 49700 |



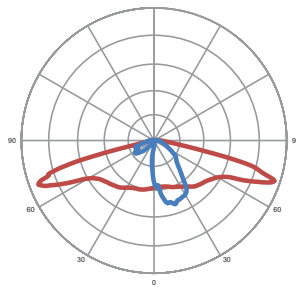
N - Narrow 21°

| MODEL | LUMENS |
|-------|--------|
| ZLM | 24850 |
| ZLM2 | 49700 |



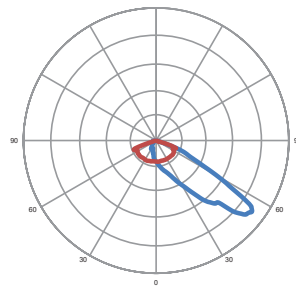
A - 90° x 140°

| MODEL | LUMENS |
|-------|--------|
| ZLM | 22370 |
| ZLM2 | 44730 |



T2 - IESNA Type 2

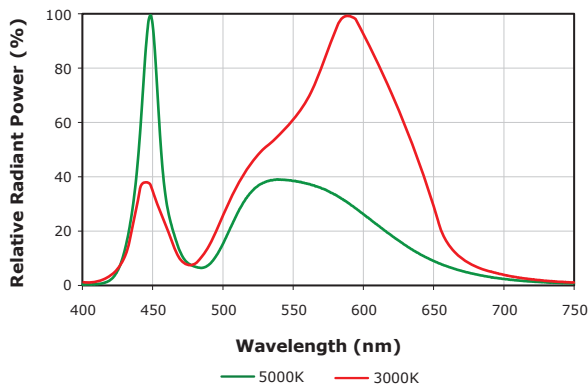
| MODEL | LUMENS |
|-------|--------|
| ZLM | 28840 |
| ZLM2 | 57680 |



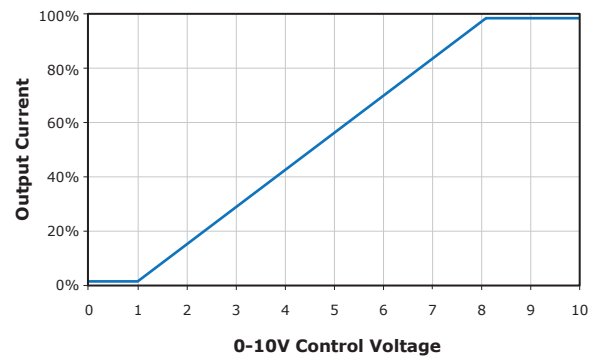
F - Forward Throw

| MODEL | LUMENS |
|-------|--------|
| ZLM | 24590 |
| ZLM2 | 49170 |

PHOTOMETRICS



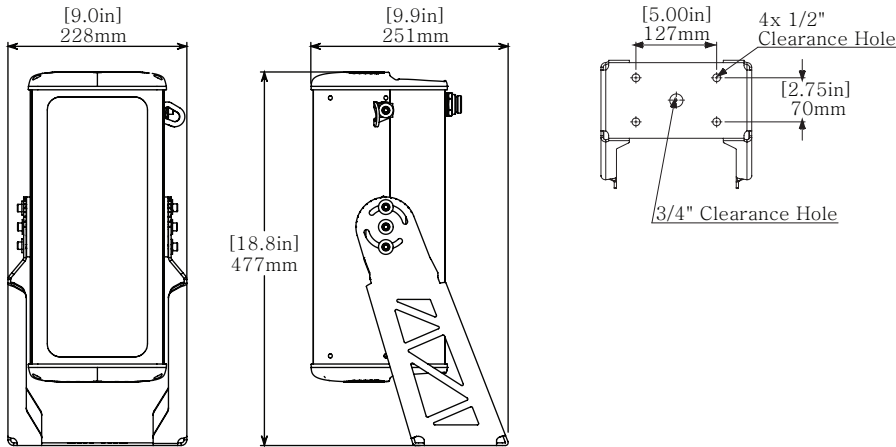
DIMMING



- Driver will source a maximum of 200uA for control needs
- Controller must sink current from the 0-10V control leads

MOUNTING OPTIONS

Single Vertical Yoke (ZLM-YM) : 12.7 kg | 28 lbs - EPA: 0.18 m² / 1.90 ft²



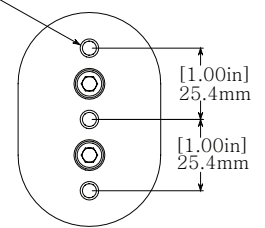
SECONDARY SAFETY



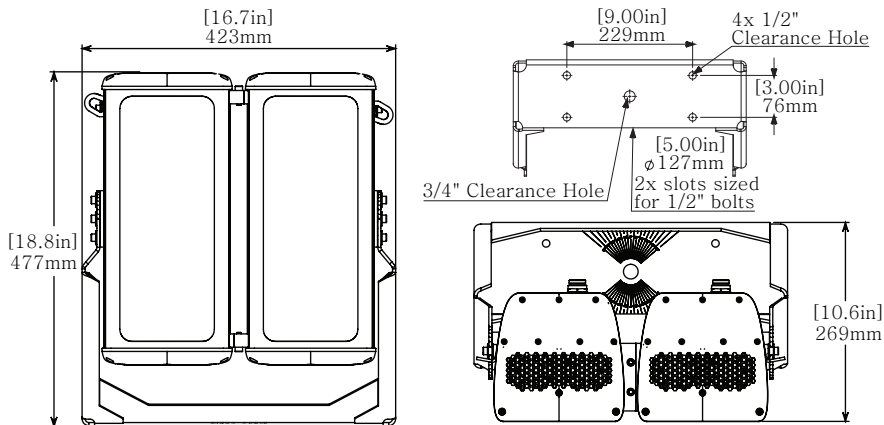
Sized for 1/2" chain quick link or locking connector/carabiner

MOUNTING POINTS

USE THREE (3) M6 FASTENERS EACH SIDE

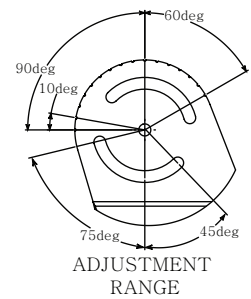


Double Vertical Yoke (ZLM2-YM) : 24.7 kg | 54.5 lbs - EPA: 0.18 m² / 1.90 ft²



ANGLE ADJUSTMENT

ANGLE INDICATOR NOTCHES



ORDERING INFORMATION

| | | |
|------------------|--|------|
| PROJECT NAME | | TYPE |
| PROJECT LOCATION | | |
| COMMENT | | DATE |
| PREPARED BY | | |

MODEL SELECTOR

Sample Number: ZLM-50-W-GY-GN-AC-S

| MODEL | COLOUR | OPTIC | FINISH | LOCATION | VOLTAGE | DIMMING |
|-------------|---|---|-----------|-----------------------|-----------------|-----------------------------------|
| ZLM ZLM2 | 50 - 5000K Special Order: 27 - 2700K ¹ 30 - 3000K ¹ 35 - 3500K ¹ 40 - 4000K ¹ 45 - 4500K ¹ 55 - 5500K ¹ 65 - 6500K ¹ High CRI options available. Please contact for details. ¹ | W - Wide 125° (No optic) M - Medium 40° ¹ N - Narrow 21° A - 90° x 140° ¹ T2 - IESNA Type 2 ¹ F - Forward Throw ¹ | GY - Grey | GN - General Location | AC - 120-277VAC | S - Standard D - 0-10V Dimming |

ACCESSORIES (Order Separately)

Sample Number: ZLM-YM

| ACCESSORY |
|--------------------------------|
| ZLM-YM - Single Vertical Yoke |
| ZLM2-YM - Double Vertical Yoke |

CUSTOM OPTIONS

WIRING

Other wire lengths available in 30 cm (1 ft) increments.¹

NOTES:

1. Minimum order quantities, additional costs and lead times may apply.