

## KEY FEATURES

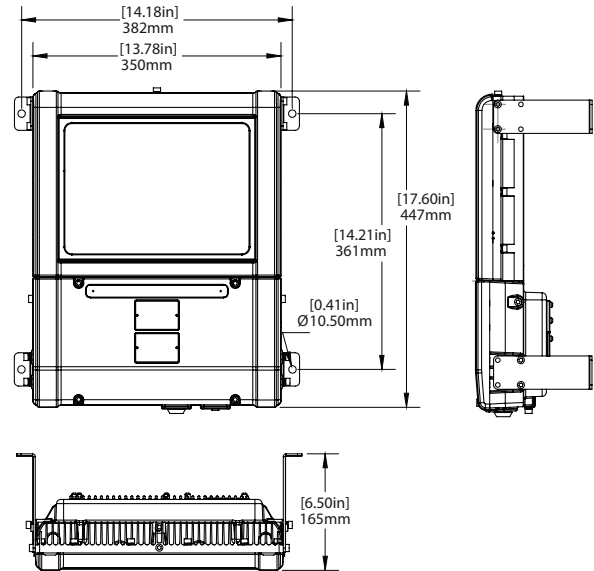
- Power / Performance**  
 High lumen output up to 15,000 lumens, designed to directly replace traditional discharge light sources up to 250W.
- Easy Maintenance**  
 Featuring a unique modular design, key components are easily accessible for straightforward maintenance and inspection.
- Robust & Durable**  
 Robust and durable construction from marine grade aluminium and with a wide operating temperature for even the most challenging conditions.
- Multiple Beam Angles**  
 Available with a range of beam patterns to effectively light up large open areas. The use of secondary optics means no loss of output on wider angles.



## TECHNICAL SPECIFICATIONS / MAXIMUM RATINGS

<b>HOUSING</b>	Marine grade aluminum, epoxy powdercoat, toughened glass, stainless steel external fasteners and brackets
<b>MOUNTING</b>	Yoke or Bay/Ceiling Mount
<b>INPUT VOLTAGE</b>	<b>AC:</b> 110-277VAC (50/60Hz)
<b>POWER (TYP)</b>	<b>5:</b> 40W   <b>8:</b> 60W   <b>10:</b> 80W   <b>13:</b> 100W   <b>15:</b> 120W
<b>CURRENT (TYP)</b>	<b>5:</b> 0.38A @110V <b>8:</b> 0.57A @110V <b>10:</b> 0.77A @110V <b>13:</b> 0.97A @110V <b>15:</b> 1.15A @110V
<b>TEMPERATURE RANGE</b>	-40°C to +60°C
<b>CERTIFICATIONS</b>	PROTECTION/CERTIFICATION – ZONE 1/21 VARIANTS CML21ATEX3317 or IEC Ex CML21.0037 or CML21UKEX3319 II 2 GD Ex eb mb IIC T4 Gb Ex tb IIIC T90°C Db Ta -40°C to +60°C  PROTECTION/CERTIFICATION – ZONE 2/22 VARIANTS CML21ATEX3320 or IEC Ex CML21.0038 or CML21UKEX3321 II 3 GD Ex ec mc IIC T4 Gc Ex tc IIIC T90°C Dc Ta -40°C to +60°C
<b>INGRESS PROTECTION</b>	IP66/67
<b>COLOUR TEMP RANGE</b>	5700K
<b>CRI VALUE (MIN)</b>	70 CRI
<b>TOTAL LUMENS</b>	<b>5:</b> 5,149 lm   <b>8:</b> 7,663 lm   <b>10:</b> 10,296 lm   <b>13:</b> 12,873 lm   <b>15:</b> 15,325 lm
<b>WEIGHT</b>	13.2 kg   29.1 lbs

## DIMENSIONS



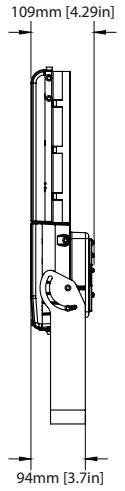
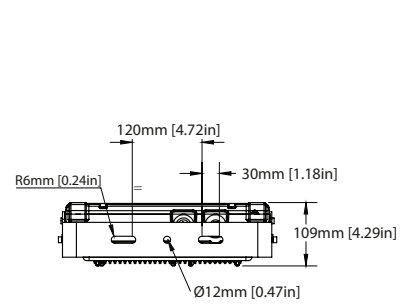
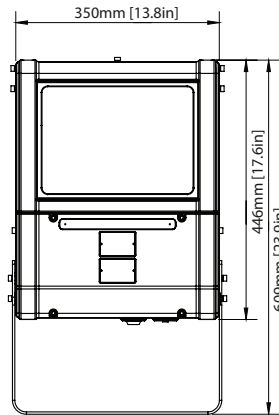
## WARRANTY

Five (5) year limited warranty to the original purchaser. The warranty covers defects in materials and workmanship under normal use and service.

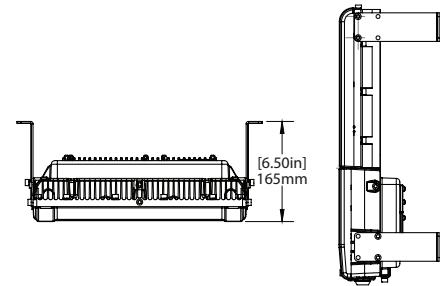
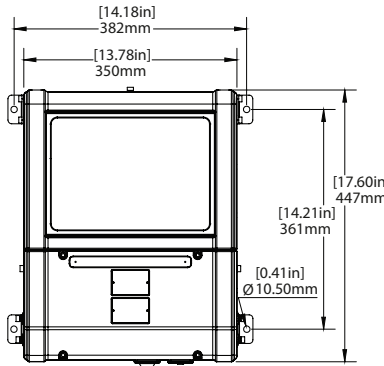
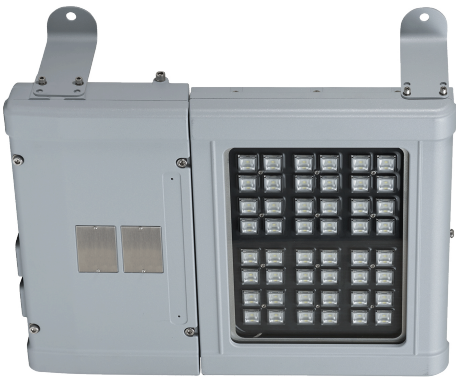
For additional information see:  
<https://nemalux.com/legal>

## MOUNTING OPTIONS

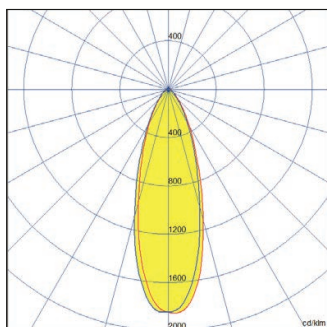
Yoke Mount: 13.2 kg (29.1 lbs)



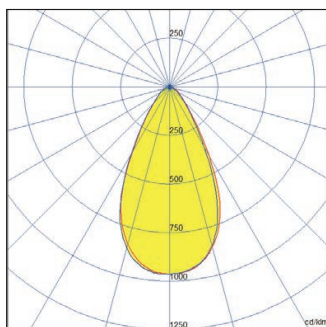
Bay/Ceiling Mount: 13.2 kg (29.1 lbs)



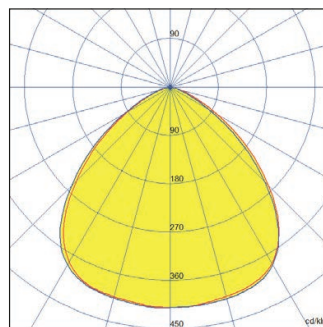
## BEAM PATTERNS



**30**  
30° x 30°



**60**  
60° x 60°



**90**  
90° x 90°

## ORDERING INFORMATION

PROJECT NAME		TYPE
PROJECT LOCATION		
COMMENT		DATE
PREPARED BY		

## MODEL SELECTOR

Sample Number: RM-5-57-90-EX1-AC

FAMILY	MODEL	CCT/COLOUR	OPTICS	CERTIFICATION	VOLTAGE	OPTION	ENTRY
RM	-	-	-	-	AC	-	
RM	5 - 5,149 lm 8 - 7,663 lm 10 - 10,296 lm 13 - 12,873 lm 15 - 15,325 lm	40 - 4000K 57 - 5700K	30 - 30x30 60 - 60x60 90 - 90x90	EX1 - Zone 1/21 EX2 - Zone 2/22	AC - 110-277VAC 60Hz	BLANK - Yoke BY - Bay/Ceiling	BLANK - M20 M25 - M25 conduit entries