



## KEY FEATURES

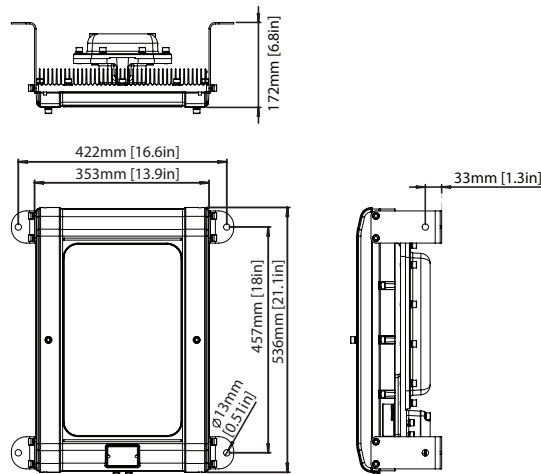
- Power / Performance**  
 High lumen output up to 34,000 lumens and a range of beam patterns to effectively light up large open areas such as oil rigs and grain stores.
- Retrofittable & Modular**  
 Designed to directly replace traditional discharge light sources up to 400W. The modular design allows easy access to key components and the ability to mount the PSU remotely (contact Nemalux for details).
- Robust & Durable**  
 Robust and durable construction from marine grade aluminium and with a wide operating temperature for even the most challenging conditions.
- Controllable**  
 DALI 2.0 Dimmable as standard for precise and flexible control of lighting assets.



## TECHNICAL SPECIFICATIONS / MAXIMUM RATINGS

<b>HOUSING</b>	Marine grade aluminum, epoxy powdercoat, toughened glass, stainless steel external fasteners and brackets
<b>MOUNTING</b>	Yoke or Bay/Ceiling Mount
<b>INPUT VOLTAGE</b>	<b>AC:</b> 110-277VAC   <b>EU:</b> 150-264VAC
<b>POWER (TYP)</b>	<b>20:</b> 200W   <b>25:</b> 250W   <b>30:</b> 300W
<b>CURRENT (TYP)</b>	<b>20:</b> 0.83A @230V <b>25:</b> 1.10A @230V <b>30:</b> 1.40A @230V
<b>TEMPERATURE RANGE</b>	-50°C to +50°C
<b>CERTIFICATIONS</b>	<p>PROTECTION/CERTIFICATION – ZONE 1/21 VARIANTS                      CML17ATEX1148 or IEC Ex CML17.0074 or CML21UKEX1102                      II 2 GD Ex db eb mb IIB T4 Gb                      Ta -50°C to +50°C                      Ex tb IIIC T104°C Db                      Ta -50°C to +50°C</p> <p>PROTECTION/CERTIFICATION – ZONE 2/22 VARIANTS                      CML17ATEX4149 or IEC Ex CML17.0074 or CML21UKEX4101                      II 3 GD Ex nR ec IIC Gc                      Ta -50°C to +50°C                      Ex tc IIIC T104°C                      Dc Ta -50°C to +50°C</p> <p>PROTECTION/CERTIFICATION – ZONE 21 DUST ONLY VARIANTS                      CML18ATEX3161 or IEC Ex CML18.0087 or CML21UKEX3107                      Ex tb IIIC T104°C                      Db Ta -50°C to +50°C</p>
<b>INGRESS PROTECTION</b>	IP66
<b>COLOUR TEMP RANGE</b>	5700K
<b>CRI VALUE (MIN)</b>	70 CRI
<b>TOTAL LUMENS</b>	<b>20:</b> 22,971   <b>25:</b> 28,713   <b>30:</b> 34,456
<b>WEIGHT</b>	23.5 kg   51.8 lbs

## DIMENSIONS



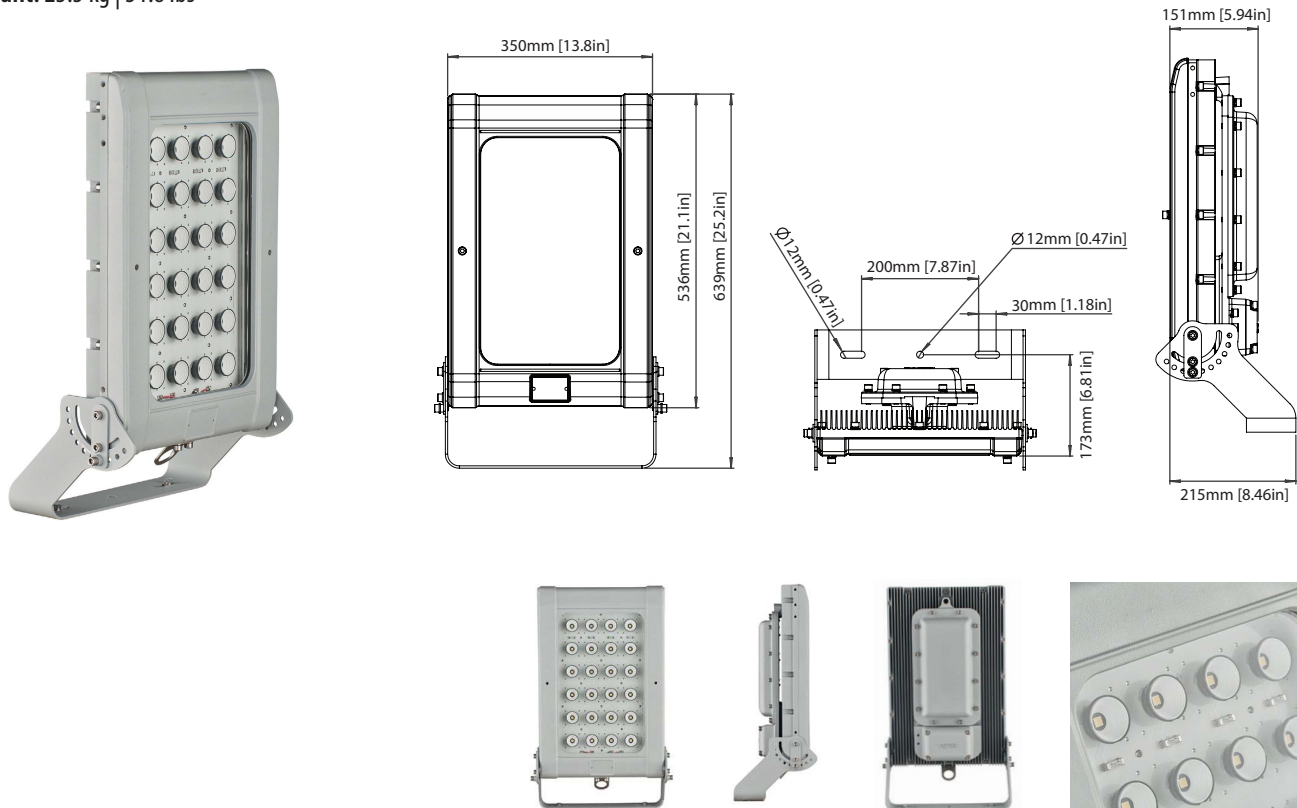
## WARRANTY

Five (5) year limited warranty to the original purchaser. The warranty covers defects in materials and workmanship under normal use and service.

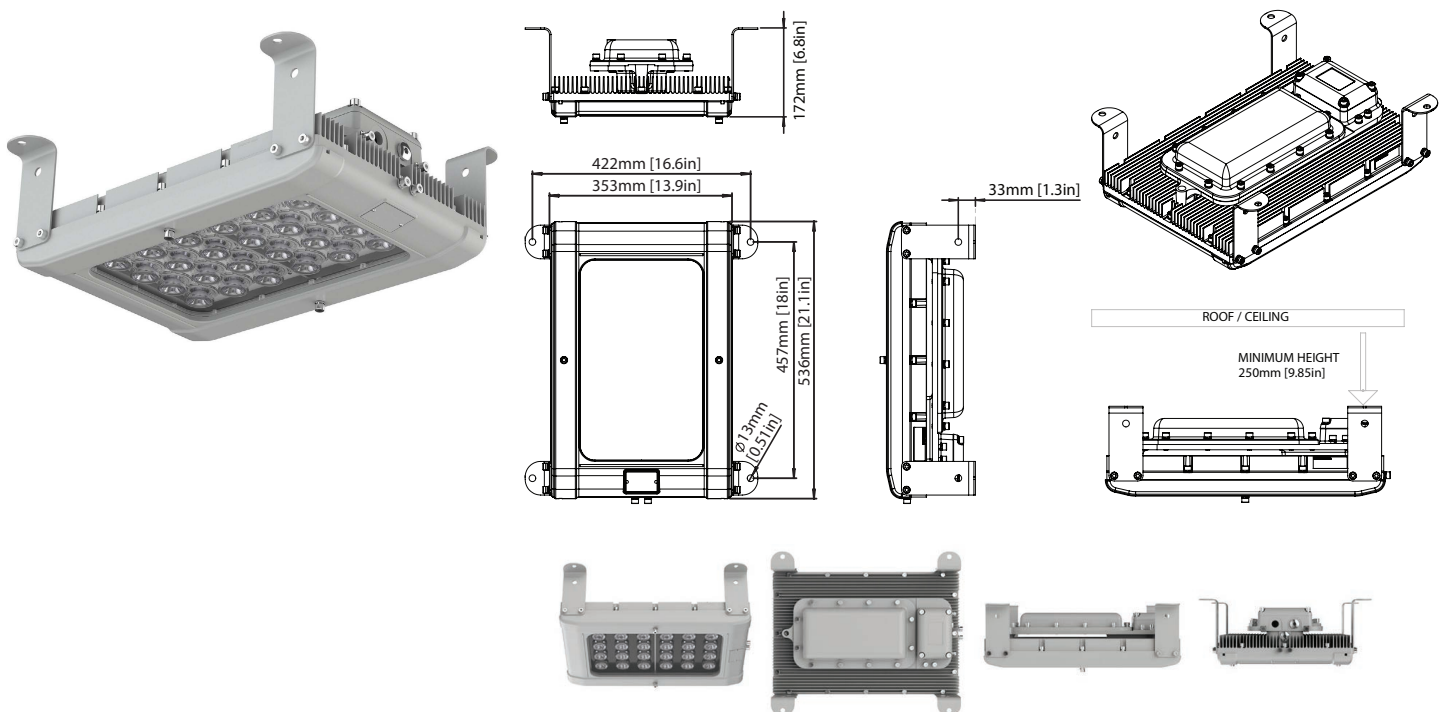
For additional information see:  
<https://nemalux.com/legal>

## MOUNTING OPTIONS

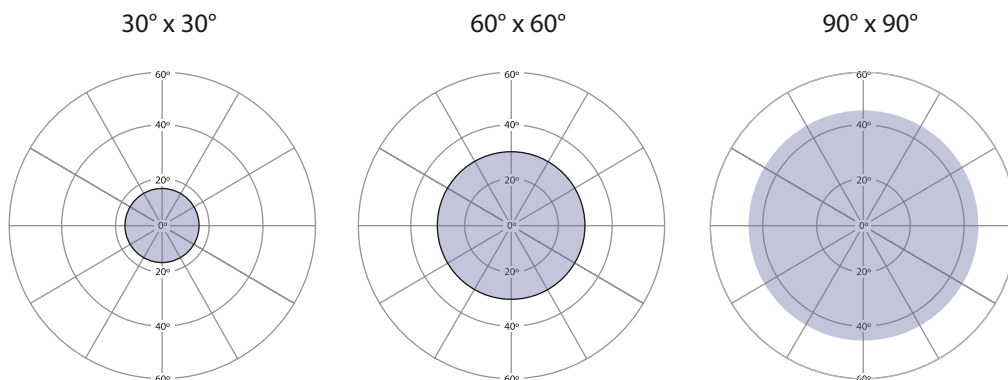
Yoke Mount: 23.5 kg | 51.8 lbs



Bay/Ceiling Mount: 23.5 kg | 51.8 lbs



## BEAM PATTERNS - CIRCULAR



## ORDERING INFORMATION

PROJECT NAME		TYPE
PROJECT LOCATION		
COMMENT		DATE
PREPARED BY		

## MODEL SELECTOR

Sample Number: RH-20-57-90-EX1-AC

FAMILY	INTENSITY	CCT/COLOUR	OPTICS	CERTIFICATION	VOLTAGE	OPTION	ENTRY
RH	-	57	-	-	-	-	
RH	20 - 22,971 lm 25 - 28,713 lm 30 - 34,456 lm	57 - 5700K	30 - 30x30 60 - 60x60 90 - 90x90	EX1 - Zone 1/21 EX1H2 - Zone 1+H2 E2X1 - Zone 21 EX2 - Zone 2/22	EU - 150-264VAC 50Hz AC - 110-277VAC 60Hz	BLANK - Yoke BY - Bay/Ceiling	BLANK - M20 M25 - M25 conduit entries