



### KEY FEATURES

- Designed for a wide range of marine and industrial applications
- Multiple of optical distribution patterns for superior lighting quality
- Field serviceable LED light engines, power supply, and components
- Approved for through-wiring of several units on a single circuit
- Optimized thermal management of electronics for longevity
- Built-in junction area for simplified termination
- 8 mounting options for installation flexibility

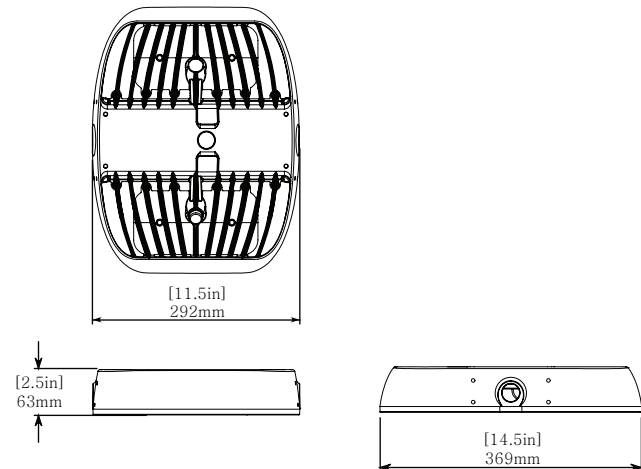


### TECHNICAL SPECIFICATIONS / MAXIMUM RATINGS

<b>HOUSING</b>	Copper Free Aluminium and Polycarbonate Lens
<b>MOUNTING</b>	See Pages 3 and 4 for MOUNTING OPTIONS
<b>INPUT VOLTAGE</b>	<b>AC:</b> 120-277VAC (50/60 Hz) <b>HV:</b> 347VAC±10%VAC (50/60 Hz)
<b>POWER (TYP)</b>	<b>MR3:</b> AC - 30W   HV - 35W <b>MR6:</b> AC - 60W   HV - 69W
<b>CURRENT (TYP)</b>	<b>MR3:</b> AC - 0.25A@120 VAC   HV - 0.10A@347 VAC <b>MR6:</b> AC - 0.50A@120 VAC   HV - 0.20A@347 VAC
<b>CONNECTIONS</b>	3x 3/4" NPT Entries
<b>TEMPERATURE RANGE</b>	-40°C to +55°C (Case ~20°C above ambient)
<b>CERTIFICATIONS</b>	Certified to UL 1598, UL 1598A & UL 8750; CSA C22.2 No. 250.0, CSA C22.2 No. 250.13
<b>INGRESS PROTECTION</b>	IP66/67   Suitable for wet locations.
<b>COLOUR TEMP RANGE</b>	<b>50:</b> 5000K   <b>Special Order:</b> 2700-6500K
<b>CRI VALUE (MIN)</b>	<b>50:</b> 70
<b>TOTAL LUMENS</b>	See CHART on Page 2
<b>LUMEN MAINTENANCE</b>	LM-80 > 60,000 hrs
<b>WEIGHT</b>	4.6 kg   10.4 lbs

\* The ambient temperature during lifetime, lumen and chromaticity determination is 25°C ± 1°C.

### DIMENSIONS

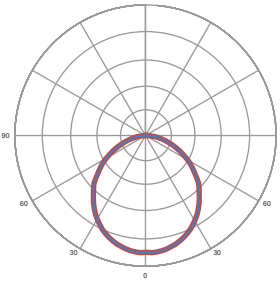


### WARRANTY

Five (5) year limited warranty to the original purchaser. The warranty covers defects in materials and workmanship under normal use and service.

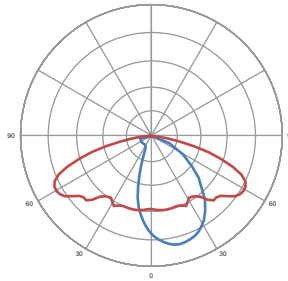
For additional information see:  
<https://nemalux.com/legal>

## OPTIC OPTIONS



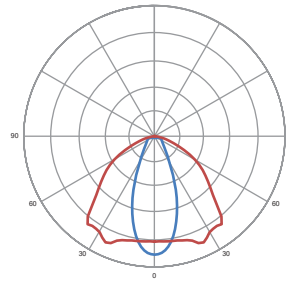
**WF - Wide Beam (No Optic)**

LUMEN OUTPUT (50)	
MR3	3393
MR6	6283



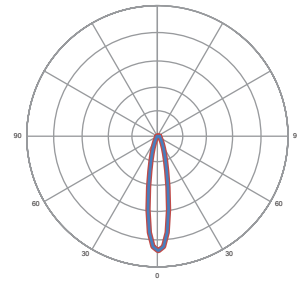
**T2F - IESNA Type 2**

LUMEN OUTPUT (50)	
MR3	2980
MR6	5520



**OF - Oval 26° x 108°**

LUMEN OUTPUT (50)	
MR3	3290
MR6	6090

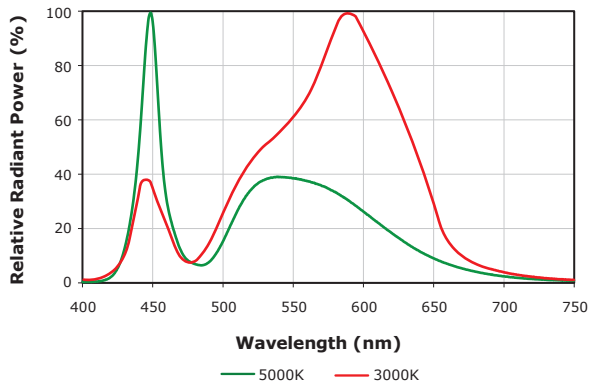


**SF - Spot 18°**

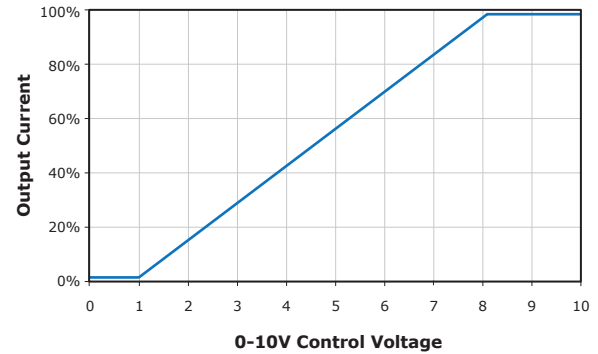
LUMEN OUTPUT (50)	
MR3	3380
MR6	6265

*Note: Standard offering above, 13 alternate optical profiles available upon request. Contact Nemalux Sales representative for further details. Minimum order quantities, additional costs and lead times may apply.*

## PHOTOMETRICS



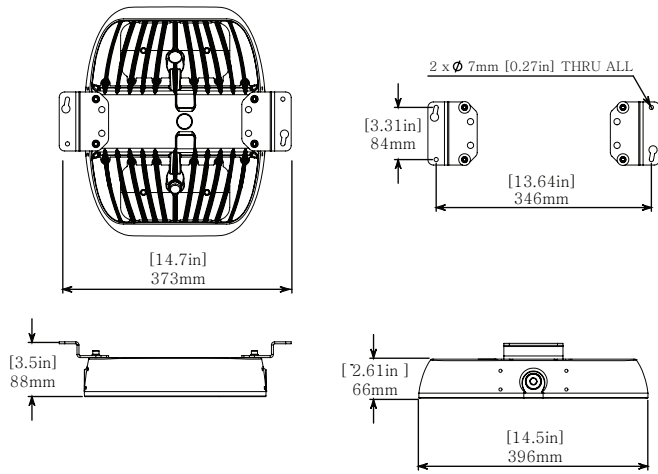
## DIMMING



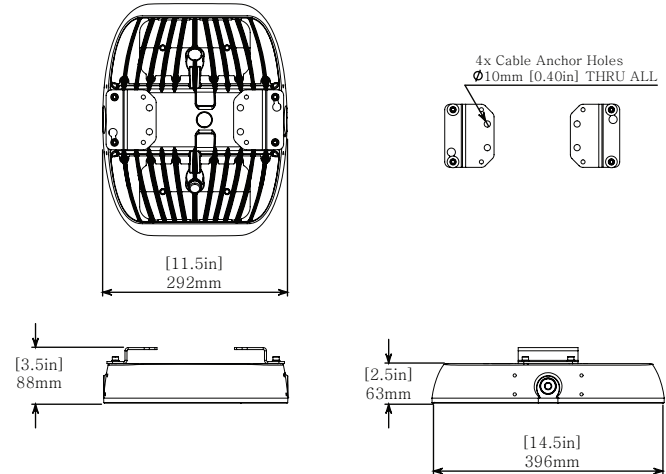
- Driver will source a maximum of 200uA for control needs
- Controller must sink current from the 0-10V control leads

## MOUNTING OPTIONS (Order Separately)

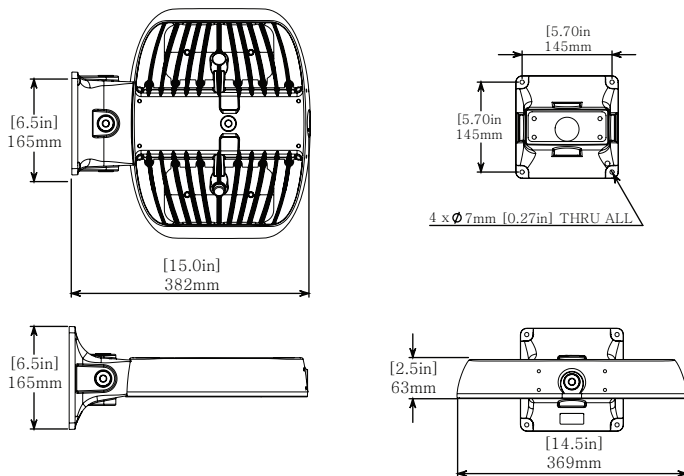
**SURFACE MOUNT (MR-SM) : 5.3 kg | 11.7 lbs**



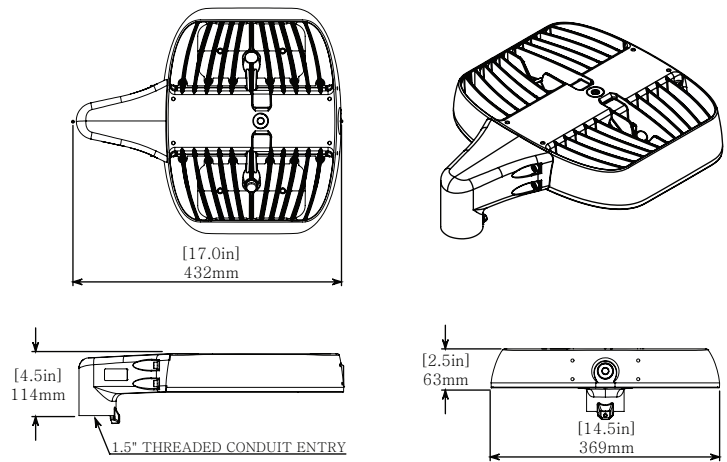
**SUSPENDED MOUNT (MR-SM) : 5.3 kg | 11.7 lbs**



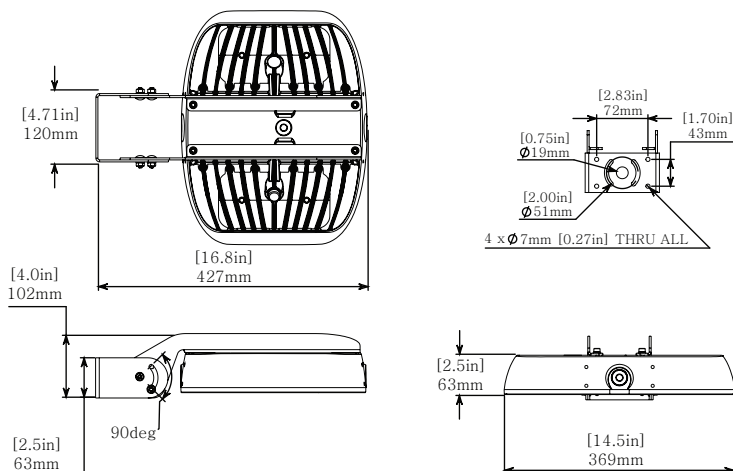
**WALL PACK MOUNT (MR-WM-GY) : 6.8 kg | 15.0 lbs**



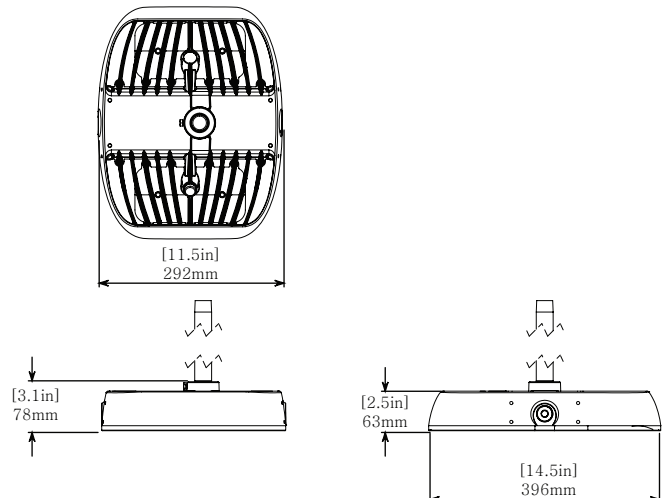
**POLE MOUNT (MR-PM-GY) : 5.64 kg | 12.4 lbs | EPA: 0.04 m<sup>2</sup> / 0.44 ft<sup>2</sup>**



**YOKE MOUNT (MR-YM) : 6.3kg | 13.9lbs | EPA: 0.12 m<sup>2</sup> / 1.29 ft<sup>2</sup>**

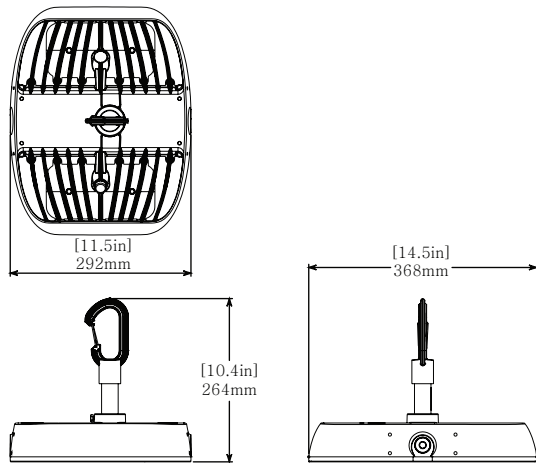


**CONDUIT CONNECTION (MR-CC) : 5.3 kg | 11.7 lbs**

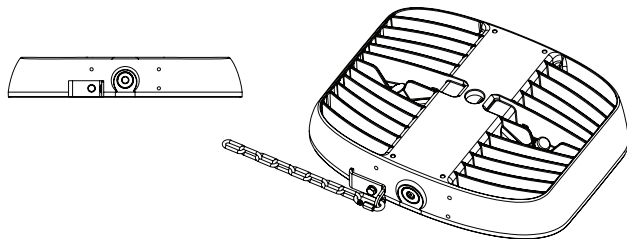


### MOUNTING OPTIONS (Order Separately)

**HOOK PENDANT MOUNT (MR-HK-GY) : 4.9 kg | 10.8 lbs**

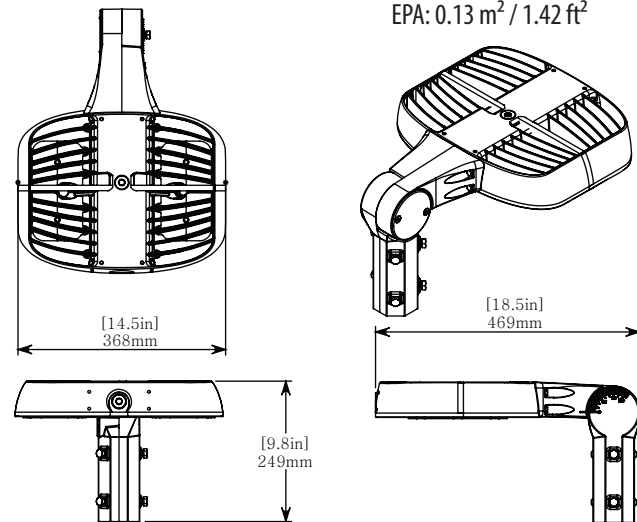


**SECONDARY SAFETY (MR-SK-##)**



**SLIP FITTER YOKE MOUNT (MR-SFY-GY) : 6.55 kg | 14.7 lbs**

EPA: 0.13 m<sup>2</sup> / 1.42 ft<sup>2</sup>



Stepped to accept either 1.5" Trade size (1-13/16" [46mm] to 2" [50mm] OD) & 2" Trade size (2-1/8" [53mm] to 2-7/16" [63mm])

### ORDERING INFORMATION

PROJECT NAME		TYPE
PROJECT LOCATION		
COMMENT		DATE
PREPARED BY		

### MODEL SELECTOR

Sample Number: MR6-50-WF-GY-GN-AC

MODEL	COLOUR	OPTIC	FINISH	LOCATION	POWER
-	-	-	GY	GN	-
<b>MR3</b> <b>MR6</b>	<b>50</b> - 5000K Special Order: <b>27</b> - 2700K <sup>1,3</sup> <b>30</b> - 3000K <sup>1,3</sup> <b>35</b> - 3500K <sup>1</sup> <b>40</b> - 4000K <sup>1</sup> <b>45</b> - 4500K <sup>1</sup> <b>57</b> - 5700K <sup>1</sup>	<b>WF</b> - Wide Beam (No optics) <b>T2F</b> - IESNA Type 2 <b>OF</b> - Oval 26° x 108° <b>SF</b> - Spot 18° Special Order: <b>T1F</b> - IESNA Type 1 <sup>1</sup> <b>T3F</b> - IESNA Type 3 <sup>1</sup> <b>T4F</b> - IESNA Type 4 <sup>1</sup> <b>T5F</b> - IESNA Type 5 <sup>1</sup> <b>TF</b> - Tight 32° <sup>1</sup> <b>MF</b> - Medium 50° <sup>1</sup> <b>PXF</b> - Asymmetric 20° x 80° w/ 45° forward kick <sup>1</sup> <b>FNF</b> - Asymmetric 90° x 22° w/ 45° forward kick <sup>1</sup> <b>2WF</b> - Asymmetric 135° x 55° w/ 25° forward kick <sup>1</sup> <b>3WF</b> - Asymmetric 155° x 55° w/ 30° forward kick <sup>1</sup> <b>W1F</b> - Asymmetric 150° x 52° w/ 30° forward kick <sup>1</sup> <b>DNF</b> - Asymmetric 105° x 55° w/ 25° forward kick <sup>1</sup> <b>XWF</b> - Asymmetric 135° x 170° w/ 75° forward kick <sup>1</sup> <b>VSF</b> - IESNA Type 5 (Square beam for wide area lighting)	<b>GY</b> - Grey  Custom finishes available. Please contact for details. <sup>1</sup>	<b>GN</b> - General Location	<b>AC</b> - 120-277VAC <b>HV</b> - 347VAC

### ACCESSORIES (Order Separately)

Sample Number: MR-WM-GY

ACCESSORY	FINISH
-	GY
<b>MR-SM</b> - Surface Mount <sup>2,3</sup> <b>MR-WM</b> - Wall Mount <sup>3</sup> <b>MR-PM</b> - Pole Mount <sup>3</sup> <b>MR-HK</b> - Hook Pendant Mount <b>MR-CC</b> - Conduit Connection <sup>3</sup> <b>MR-YM</b> - Yoke Mount <sup>2</sup> <b>MR-SFY</b> - Slip Fitter Yoke Mount <b>MR-SK-##</b> - Secondary Safety <sup>2,4</sup>	<b>GY</b> - Grey  Custom finishes available. Please contact for details. <sup>1</sup>

#### NOTES:

1. Minimum order quantities, additional costs and lead times may apply.
2. Only available in stainless steel finish.
3. IDA Fixture Seal of Approval only applies to fixtures with a CCT of 3000K or less, and have fixed mounts aiming the fixture perpendicular to the ground.
4. ## represents the safety chain length in feet (i.e. 05=5', 10=10').  
Secondary Safety Kit contains bracket, stainless steel chain (1/8 trade size), and two stainless steel oval threaded connecting links

#### 5. DLC Listed models:

DesignLights Consortium (DLC) v5.1 Qualified LED Luminaire Listings			
Model No.	Category	General Application	Classification
MR6-[S0,CW]-WF-xx-yy-[AC,HV]-zz	Outdoor Luminaires	Mid Output	DLC Standard

#### OPTIONAL CONTROLS:

EuControls S618-P-DR - Motion and Light Sensing Dimming Control (Optional Remote Control Available), 120/208-240/277 VAC  
NOTE #: 800VA Max Load @ 120VAC, 1000VA Max Load @ 208-240VAC, 1200VA Max Load @ 277 VAC

Intermatic EK4136S - Stem Mount Electronic Photo Control, Side Lens, 105-305 VAC  
Intermatic EK4236S - Stem and Swivel Mount Photo Control, Side Lens, 105-305 VAC  
Intermatic EK4436SM - Die Cast Metal Stem Mount Electronic Photo Control, 105-305V AC  
Intermatic EK4736S - Stem and Swivel Mount Photo Control, Top Lens, 105-305 VAC  
NOTE #: All Intermatic Photo Controls Max Load 1650 W @ 277VAC