



KEY FEATURES

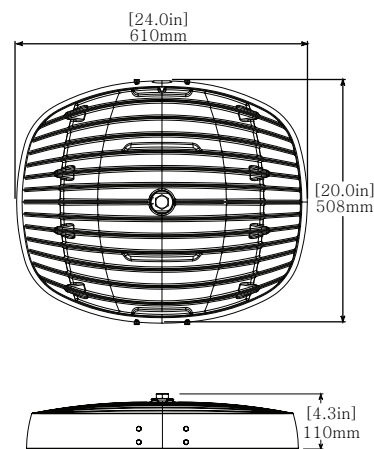
- Designed for hazardous location use
- Optimized thermal management of electronics for longevity
- Field serviceable light engines, power supply, and housing elements
- Multiple optical distribution patterns for superior lighting quality
- Approved for through-wiring of several units on a single circuit
- Built-in junction area for simplified termination
- 8 mounting options for installation flexibility
- Available in 90+ CRI



TECHNICAL SPECIFICATIONS / MAXIMUM RATINGS

| | |
|---------------------------|--|
| HOUSING | Copper Free Aluminum and Polycarbonate Lens |
| MOUNTING | See pages 3 and 4 for MOUNTING OPTIONS |
| INPUT VOLTAGE | AC: 120-277VAC HV: 347-480VAC (50/60Hz) |
| POWER (TYP) | See CHART on Page 2 |
| CURRENT (TYP) | See CHART on Page 2 |
| CONNECTIONS | 2x 3/4" NPT |
| DIMMING | 0-10V Dimmable, Class 1 Wiring See CHART on Page 2 |
| TEMPERATURE RANGE | See CHART on Page 4 |
| CERTIFICATIONS | Certified to UL 844 / CSA C22.2 No. 137-M1981; UL 1598 / CSA C22.2 No. 250.0-08 ; UL 1598A; UL 8750; CSA C22.2 No. 250.13 Class I, Division 2, Groups ABCD; Class III; Class I, Zone 2, Groups IIC; Zone 22, Groups IIIB |
| INGRESS PROTECTION | IP66/67 Suitable for wet locations. Marine Outside type (salt water). |
| COLOUR TEMP RANGE | 50: 5000K Special Order: 2700-6500K |
| CRI VALUE (MIN) | 50: 70 Special Order: 90+ |
| TOTAL LUMENS | See CHART on Page 2 |
| LUMEN MAINTENANCE | LM-80 > 100,000 hrs (Based on CREE long term testing) |
| WEIGHT | 16.4 kg 36 lbs |

DIMENSIONS



WARRANTY

Five (5) year limited warranty to the original purchaser. The warranty covers defects in materials and workmanship under normal use and service.

For additional information see:
<https://nemalux.com/legal>

*The ambient temperature during lifetime, lumen and chromaticity determination is 25°C ± 1°C.

ELECTRICAL RATINGS

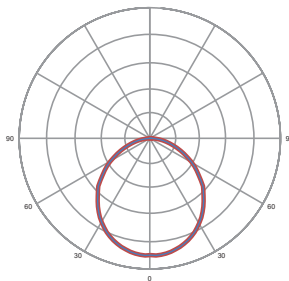
AC MODELS (5000K CCT)
120-277 VAC Input Range
50/60 Hz Frequency

| MODEL | RATED WATTAGE [Watts] | TYPICAL POWER - FLOOD MODELS [WATTS] | | TYPICAL POWER - OPTIC MODELS [WATTS] | |
|-------|-----------------------|--------------------------------------|---------|--------------------------------------|---------|
| | | @120VAC | @277VAC | @120VAC | @277VAC |
| AR10 | 107 | 88.8 | 91.8 | 96.9 | 99.2 |
| AR15 | 145 | 119.5 | 121.6 | 130.0 | 131.7 |
| AR20 | 190 | 156.3 | 157.0 | 170.0 | 170.6 |
| AR25 | 247 | 209.7 | 208.1 | 224.9 | 222.7 |
| AR30 | 312 | 277.7 | 274.4 | 297.0 | 292.9 |

HV MODELS (5000K CCT)
347-480 VAC Input Range
50/60 Hz Frequency

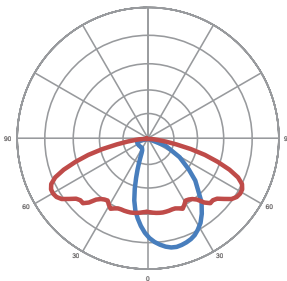
| MODEL | RATED WATTAGE [Watts] | TYPICAL POWER - FLOOD MODELS [WATTS] | | TYPICAL POWER - OPTIC MODELS [WATTS] | |
|-------|-----------------------|--------------------------------------|----------|--------------------------------------|----------|
| | | @ 347VAC | @ 480VAC | @ 347VAC | @ 480VAC |
| AR10 | 129 | 113.0 | 118.3 | 121.9 | 127.0 |
| AR15 | 145 | 135.6 | 140.6 | 145.7 | 150.6 |
| AR20 | 187 | 171.5 | 193.8 | 180.5 | 183.3 |
| AR25 | 248 | 224.6 | 228.4 | 238.3 | 241.9 |
| AR30 | 310 | 287.3 | 289.5 | 297.6 | 297.4 |

OPTIC OPTIONS



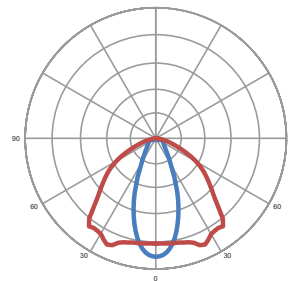
WC - Wide Beam (No Optics)

| MODEL | LUMENS | LUMENS/WATT |
|-------|--------|-------------|
| AR10 | 12270 | 140 |
| AR15 | 16490 | 140 |
| AR20 | 20730 | 134 |
| AR25 | 26610 | 129 |
| AR30 | 33190 | 121 |



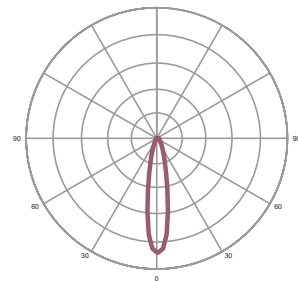
T2 - IESNA Type 2

| MODEL | LUMENS | LUMENS/WATT |
|-------|--------|-------------|
| AR10 | 12370 | 132 |
| AR15 | 16340 | 130 |
| AR20 | 20560 | 125 |
| AR25 | 26090 | 117 |
| AR30 | 31670 | 109 |



OC - Oval 26° x 108°

| MODEL | LUMENS | LUMENS/WATT |
|-------|--------|-------------|
| AR10 | 12260 | 127 |
| AR15 | 16200 | 127 |
| AR20 | 20380 | 124 |
| AR25 | 25860 | 119 |
| AR30 | 31400 | 109 |

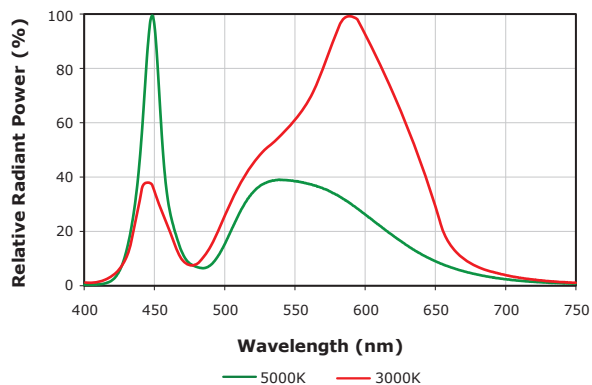


SC - Spot 18°

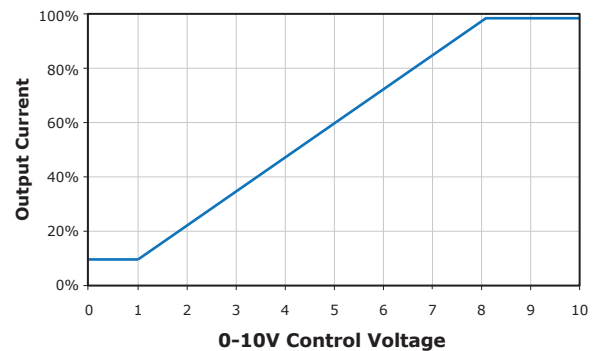
| MODEL | LUMENS | LUMENS/WATT |
|-------|--------|-------------|
| AR10 | 12330 | 128 |
| AR15 | 16290 | 128 |
| AR20 | 20500 | 125 |
| AR25 | 26020 | 119 |
| AR30 | 31590 | 110 |

Note: 13 alternate optical profiles available upon request. Contact Nemalux Sales representative for further details. Minimum order quantities, additional costs and lead times may apply.

PHOTOMETRICS



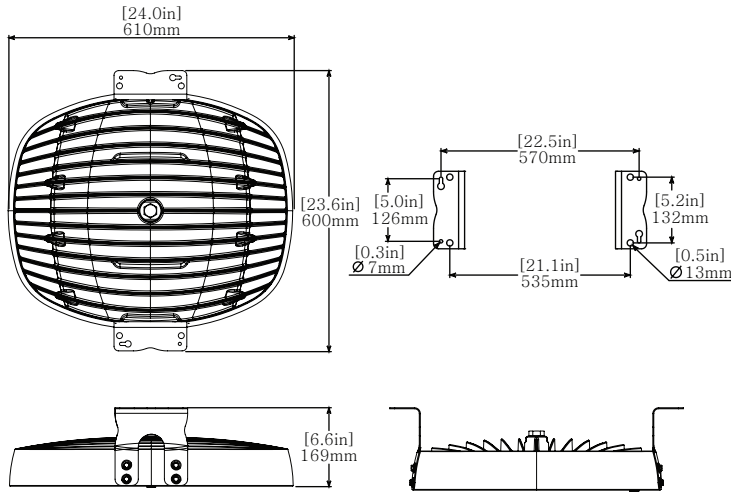
DIMMING



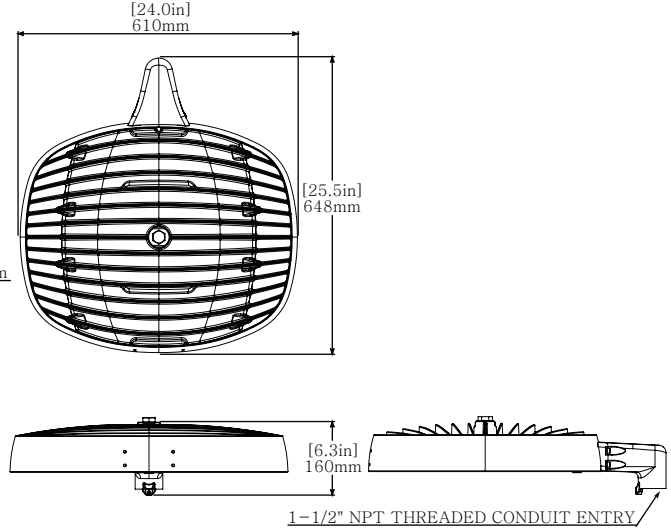
- Driver will source a maximum of 200uA for control needs
- Controller must sink current from the 0-10V control leads

MOUNTING OPTIONS (Ordered Separately)

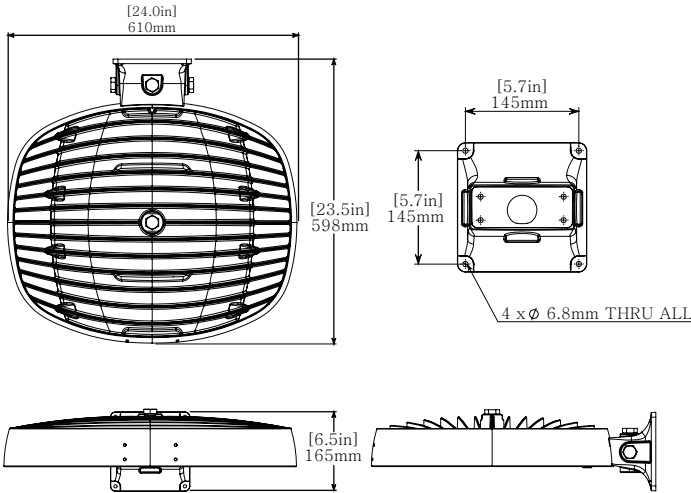
SURFACE/SUSPENDED MOUNT (AR-SM): 16.8 kg | 37 lbs



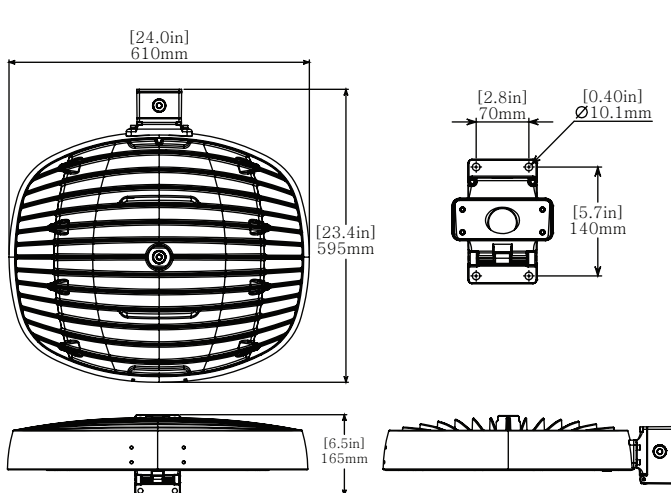
POLE MOUNT (AR-PM): 17.3 kg | 38 lbs | EPA: 0.07 m² / 0.72 ft²



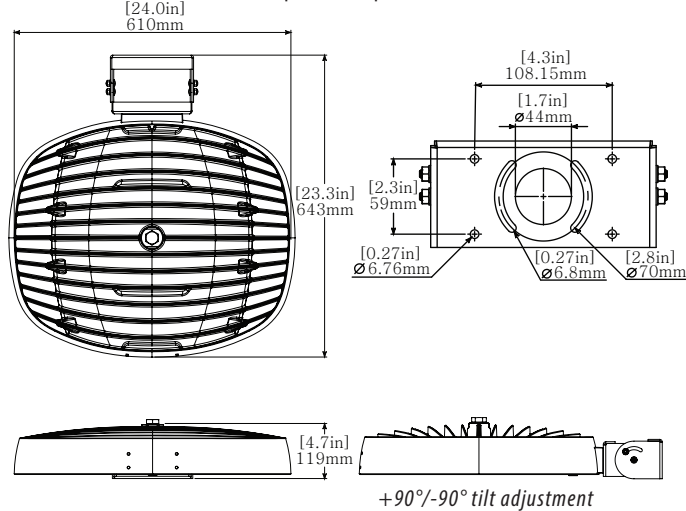
WALL MOUNT (AR-WM): 17.8 kg | 39.0 lbs



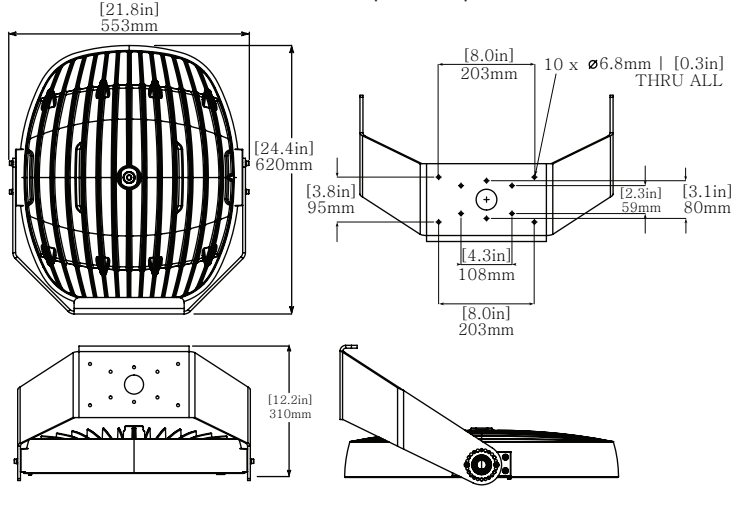
WALL MOUNT 2 (AR-WM2): 17.6 kg | 38.5 lbs



YOKE MOUNT (AR-YM): 18.0 kg | 39.6 lbs | EPA: 0.28 m² / 3.06 ft²

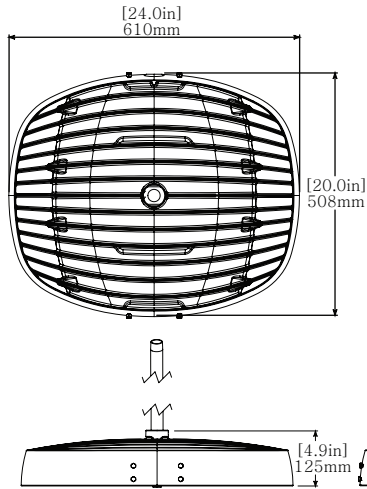


HIGH VIBRATION YOKE (AR-YK): 23.8 kg | 52.5 lbs | EPA: 0.37 m² / 3.97 ft²

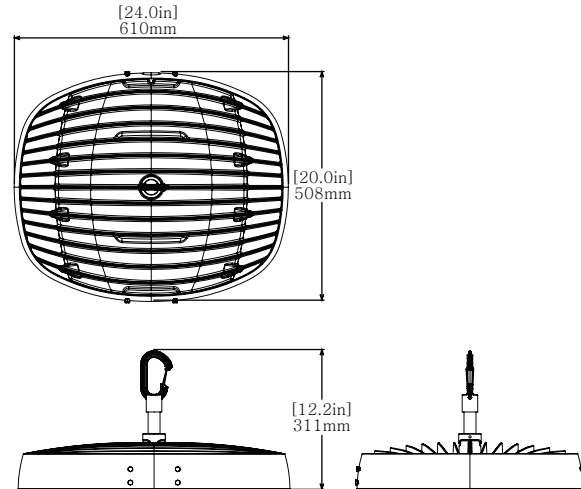


MOUNTING OPTIONS (Ordered Separately)

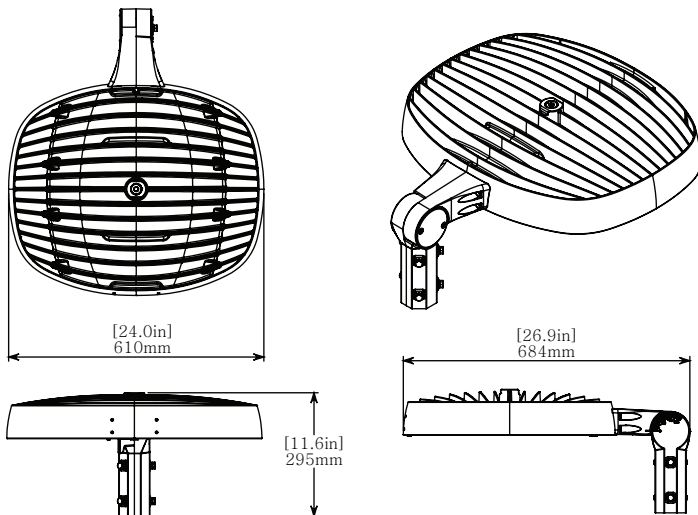
CONDUIT MOUNT (AR-CM): 16.4 kg | 36 lbs



HOOK PENDANT (AR-HK): 16.8 kg | 36.9 lbs

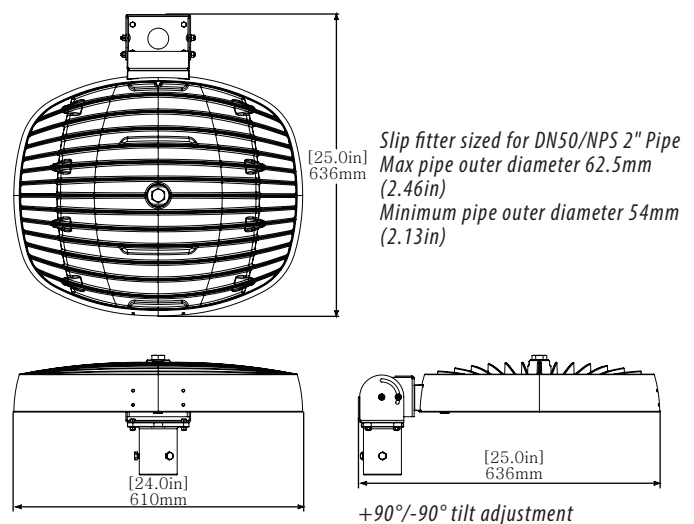


SLIP FITTER YOKE MOUNT (AR-SFY): 18.35 kg | 40.3 lbs | EPA: 0.3 m² / 3.24 ft²



Stepped to accept either 1.5" Trade size (1-13/16" [46mm] to 2" [50mm] OD) & 2" Trade size (2-1/8" [53mm] to 2-7/16" [63mm])

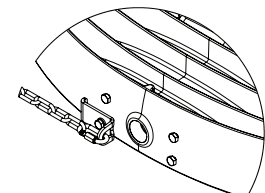
YOKE MOUNT W/ SLIPFITTER (AR-SF): 17.3 kg | 38 lbs



TEMPERATURE RANGE CHART:

| MODEL | INPUT VOLTAGE | OPTICAL MODELS | | FLOOD MODELS | | ALL MODELS |
|-------|---------------|-------------------|------------------------|-------------------|------------------------|-------------------------|
| | | AMBIENT TEMP [°C] | CLASS I, DIV 2 T-CODES | AMBIENT TEMP [°C] | CLASS I, DIV 2 T-CODES | CLASS II, DIV 2 T-CODES |
| AR10 | AC | -40 to 55 | T3C | -40 to 55 | T4A | T5 |
| | HV | -40 to 54 | T3C | -40 to 51 | T4 | T5 |
| AR15 | AC | -40 to 55 | T3C | -40 to 55 | T4A | T5 |
| | HV | -40 to 54 | T3C | -40 to 51 | T4 | T5 |
| AR20 | AC | -40 to 55 | T3C | -40 to 55 | T4A | T5 |
| | HV | -40 to 54 | T3C | -40 to 51 | T4 | T5 |
| AR25 | AC | -40 to 51 | T3C | -40 to 55 | T4A | T5 |
| | HV | -40 to 44 | T3B | -40 to 50 | T4A | T5 |
| AR30 | AC | -40 to 43 | T3 | -40 to 42 | T4A | T5 |
| | HV | -40 to 43 | T3 | -40 to 40 | T3 | T5 |

SECONDARY SAFETY KIT (AR-SK-##)



##represents the safety chain length in feet (i.e. 05=5', 10=10'). Secondary Safety Kit contains bracket, stainless steel chain (1/8 trade size), and two stainless steel oval threaded connecting links.

ORDERING INFORMATION

| | | |
|------------------|--|------|
| PROJECT NAME | | TYPE |
| PROJECT LOCATION | | |
| COMMENT | | DATE |
| PREPARED BY | | |

MODEL SELECTOR

Sample Number: AR30-50-WC-GY-HZ-AC

| MODEL | COLOUR | OPTIC | FINISH | LOCATION | POWER |
|---|---|--|--|--------------------------|------------------------------------|
| - | - | - | GY - | HZ - | |
| AR10 ⁶ AR15 ⁶ AR20 ⁶ AR25 ⁶ AR30 ⁶ | 50 - 5000K Special Order: 27 - 2700K ^{1,3} 27H - 2700K High CRI ^{1,3} 30 - 3000K ^{1,3} 30H - 3000K High CRI ^{1,3} 35 - 3500K ¹ 35H - 3500K High CRI ¹ 40 - 4000K ¹ 40H - 4000K High CRI ¹ 50H - 5000K High CRI ¹ 57 - 5700K ¹ 57H - 5700K High CRI ¹ 65 - 6500K ¹ 65H - 6500K High CRI ¹ | WC - Wide Beam (No optics) Special Order: T1 - IESNA Type 1 ¹ T2 - IESNA Type 2 ¹ T3 - IESNA Type 3 ¹ T4 - IESNA Type 4 ¹ T5 - IESNA Type 5 ¹ SC - Spot 18° ¹ TC - Tight 32° ¹ MC - Medium 50° ¹ OC - Oval 26° x 108° ¹ PX - Asymmetric 20° x 80° w/ 45° forward kick ¹ FN - Asymmetric 90° x 22° w/ 45° forward kick ¹ 2W - Asymmetric 135° x 55° w/ 25° forward kick ¹ 3W - Asymmetric 155° x 55° w/ 30° forward kick ¹ W1 - Asymmetric 150° x 52° w/ 30° forward kick ¹ DN - Asymmetric 105° x 55° w/ 25° forward kick ¹ XW - Asymmetric 135° x 170° w/ 75° forward kick ¹ | GY - Grey Custom finishes are available. Please contact for details. ¹ | HZ - Hazardous Locations | AC - 120-277VAC HV - 347-480VAC |

ACCESSORIES (Order Separately)

Sample Number: AR-WM-GY

| ACCESSORY | FINISH | HAZLOC |
|--|--|--------------------------------------|
| - | GY - | HZ - |
| AR-SM - Surface Mount ² AR-WM - Wall Mount ³ AR-WM2 - Wall Mount 2 ³ AR-HK - Hook Pendant Mount AR-PM - Pole Mount ³ AR-YM - Yoke Mount ² AR-YK - High Vibration Yoke Mount ² AR-SFY - Slip Fitter Yoke Mount AR-SK-## - Secondary Safety Kit ^{2,4} AR-SP-AC - Surge Suppressor ⁷ AR-SP-HV - Surge Suppressor ⁷ | GY - Grey Custom finishes available. Please contact for details. ¹ | HZ - Hazardous Location ⁵ |

NOTES:

- Minimum order quantities, additional costs and lead times may apply.
- Only available in stainless steel finish.
- IDA Fixture Seal of Approval only applies to fixtures with a CCT of 3000K or less, and have fixed mounts aiming the fixture perpendicular to the ground.
- ## represents the safety chain length in feet (i.e. 05=5'; 10=10').
Secondary Safety Kit contains bracket, stainless steel chain (1/8 trade size), and two stainless steel oval threaded connecting links.
- HZ only applicable to Slip Fitter Yoke Mount (AR-SFY-GY-HZ).

6. DLC Listed models:

| DesignLights Consortium (DLC) v5.1 Qualified LED Luminaire Listings | | | |
|---|--------------------|---------------------|----------------|
| Model No. | Category | General Application | Classification |
| AR10-50-WC-xx-xx-AC | Outdoor Luminaires | High Output | DLC Premium |
| | Indoor Luminaires | High-Bay | DLC Standard |
| AR15-50-WC-xx-xx-[AC,HV] | Outdoor Luminaires | High Output | DLC Premium |
| | Indoor Luminaires | High-Bay | DLC Standard |
| AR20-50-WC-xx-xx-[AC,HV] | Outdoor Luminaires | High Output | DLC Premium |
| | Indoor Luminaires | High-Bay | DLC Standard |
| AR25-50-WC-xx-xx-[AC,HV] | Outdoor Luminaires | High Output | DLC Premium |
| | Indoor Luminaires | High-Bay | DLC Standard |
| AR30-50-WC-xx-xx-[AC,HV] | Outdoor Luminaires | Very High Output | DLC Premium |
| | Indoor Luminaires | High-Bay | DLC Standard |

7. Surge Suppressor Options:

AR-SP-AC – 277V FOR USE WITH -AC AR MODELS

-Protects against surges and transients per ANSI C62.41-2002 category C high (10KV, 1.2/50µs & 10KA, 8/20µs) standard Combo waves and (6KV, 100KHz) Ring wave

-Protects against surges and transients per new ANSI C82.77-5 2015 category C high (20KV, 1.2/50µs & 10KA, 8/20µs) standard Combo waves and (6KV, 100KHz) Ring wave

AR-SP-HV – 480V FOR USE WITH -HV AR MODELS

-Protects against surges and transients per ANSI C62.41-2002 category C high (10KV, 1.2/50µs & 10KA, 8/20µs) standard Combo waves and (6KV, 100KHz) Ring wave

-Protects against surges and transients per new ANSI C82.77-5 2015 category C high (20KV, 1.2/50µs & 10KA, 8/20µs) standard Combo waves and (6KV, 100KHz) Ring wave