



### KEY FEATURES

- Designed for a wide range of marine and industrial applications
- Optimized thermal management of electronics for longevity
- Field serviceable light engines, power supply, and housing elements
- Multiple optical distribution patterns for superior lighting quality
- Approved for through-wiring of several units on a single circuit
- Built-in junction area for simplified termination
- 8 mounting options for installation flexibility
- Available in 90+ CRI

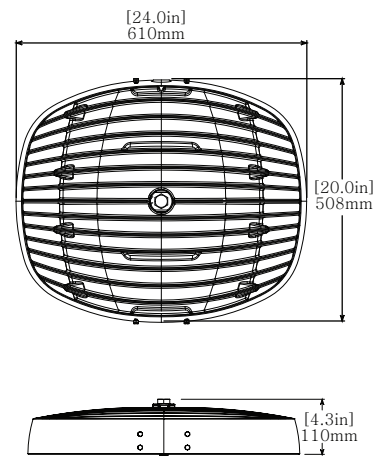


### TECHNICAL SPECIFICATIONS / MAXIMUM RATINGS

|                           |   |
|---------------------------|---|
| <b>HOUSING</b>            | Copper Free Aluminum and Polycarbonate Lens   |
| <b>MOUNTING</b>           | See Pages 3 and 4 for MOUNTING OPTIONS  |
| <b>INPUT VOLTAGE</b>      | <b>AC:</b> 120-277VAC   <b>HV:</b> 347-480VAC (50/60Hz)   |
| <b>POWER (TYP)</b>        | See CHART on Page 2   |
| <b>CURRENT (TYP)</b>      | See CHART on Page 2   |
| <b>CONNECTIONS</b>        | 2x 3/4" NPT   |
| <b>DIMMING</b>            | 0-10V Dimmable, Class 1 Wiring   See CHART on Page 2  |
| <b>TEMPERATURE RANGE</b>  | <b>AR10, 15, 20, 25 AC Models:</b> -40°C to +55°C<br><b>AR10, 15, 20, 25 HV Models:</b> -40°C to +50°C<br><b>AR30 AC, HV Optical Models:</b> -40°C to +45°C<br><b>AR30 AC Flood Model:</b> -40°C to +40°C<br><b>AR30 HV Flood Model:</b> -40°C to +45°C<br>(Case ~30°C above ambient) |
| <b>CERTIFICATIONS</b>     | Certified to UL 1598 & UL 1598A, UL 8750; CSA 22.2 No. 250.0, CSA 22.2 No. 250.13;  |
| <b>INGRESS PROTECTION</b> | IP66/67 Suitable for wet locations. Marine outside type (salt water).   |
| <b>COLOUR TEMP RANGE</b>  | <b>50:</b> 5000K   <b>Special Order:</b> 2700-6500K   |
| <b>CRI VALUE (MIN)</b>    | <b>50:</b> 70   <b>Special Order:</b> 90+   |
| <b>TOTAL LUMENS</b>       | See CHART on Page 2   |
| <b>LUMEN MAINTENANCE</b>  | LM-80 > 100,000 hrs (Based on CREE long term testing)   |
| <b>WEIGHT</b>             | 16.4 kg   36 lbs  |

\* The ambient temperature during lifetime, lumen and chromaticity determination is 25°C ± 1°C.

### DIMENSIONS



### WARRANTY

Five (5) year limited warranty to the original purchaser. The warranty covers defects in materials and workmanship under normal use and service.

For additional information see:  
<https://nemalux.com/legal>

## ELECTRICAL RATINGS

**AC MODELS (5000K CCT)**  
120-277 VAC Input Range  
50/60 Hz Frequency

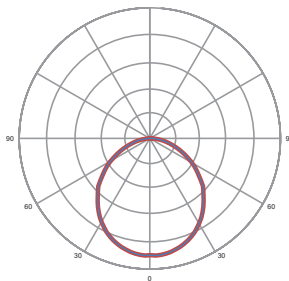
| MODEL | RATED WATTAGE [Watts] | TYPICAL POWER - FLOOD MODELS [WATTS] |         | TYPICAL POWER - OPTIC MODELS [WATTS] |         |
|-------|-----------------------|--------------------------------------|---------|--------------------------------------|---------|
|       |                       | @120VAC                              | @277VAC | @120VAC                              | @277VAC |
| AR10  | 107                   | 88.8                                 | 91.8    | 96.9                                 | 99.2    |
| AR15  | 145                   | 119.5                                | 121.6   | 130.0                                | 131.7   |
| AR20  | 190                   | 156.3                                | 157.0   | 170.0                                | 170.6   |
| AR25  | 247                   | 209.7                                | 208.1   | 224.9                                | 222.7   |
| AR30  | 312                   | 277.7                                | 274.4   | 297.0                                | 292.9   |

**HV MODELS (5000K CCT)**  
347-480 VAC Input Range  
50/60 Hz Frequency

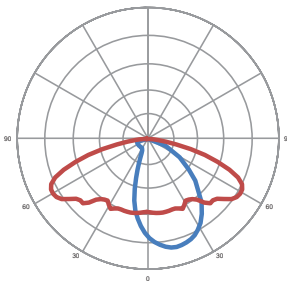
| MODEL | RATED WATTAGE [Watts] | TYPICAL POWER - FLOOD MODELS [WATTS] |          | TYPICAL POWER - OPTIC MODELS [WATTS] |          |
|-------|-----------------------|--------------------------------------|----------|--------------------------------------|----------|
|       |                       | @ 347VAC                             | @ 480VAC | @ 347VAC                             | @ 480VAC |
| AR10  | 129                   | 113.0                                | 118.3    | 121.9                                | 127.0    |
| AR15  | 145                   | 135.6                                | 140.6    | 145.7                                | 150.6    |
| AR20  | 187                   | 171.5                                | 193.8    | 180.5                                | 183.3    |
| AR25  | 248                   | 224.6                                | 228.4    | 238.3                                | 241.9    |
| AR30  | 310                   | 287.3                                | 289.5    | 297.6                                | 297.4    |

## OPTIC OPTIONS

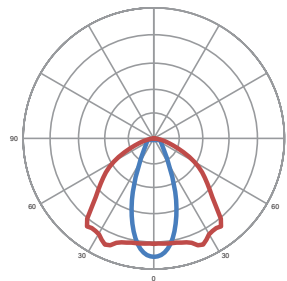
Vertical Plane (RED) | Lateral Cone (BLUE)



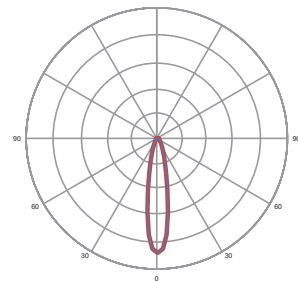
**WC - Wide Beam (No Optics)**



**T2 - IESNA Type 2**



**OC - Oval 26° x 108°**



**SC - Spot 18°**

| MODEL | LUMENS | LUMENS/WATT |
|-------|--------|-------------|
| AR10  | 12270  | 140         |
| AR15  | 16490  | 140         |
| AR20  | 20730  | 134         |
| AR25  | 26610  | 129         |
| AR30  | 33190  | 121         |

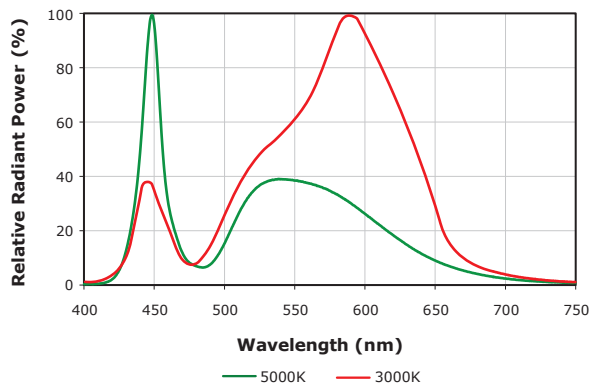
| MODEL | LUMENS | LUMENS/WATT |
|-------|--------|-------------|
| AR10  | 12370  | 132         |
| AR15  | 16340  | 130         |
| AR20  | 20560  | 125         |
| AR25  | 26090  | 117         |
| AR30  | 31670  | 109         |

| MODEL | LUMENS | LUMENS/WATT |
|-------|--------|-------------|
| AR10  | 12260  | 127         |
| AR15  | 16200  | 127         |
| AR20  | 20380  | 124         |
| AR25  | 25860  | 119         |
| AR30  | 31400  | 109         |

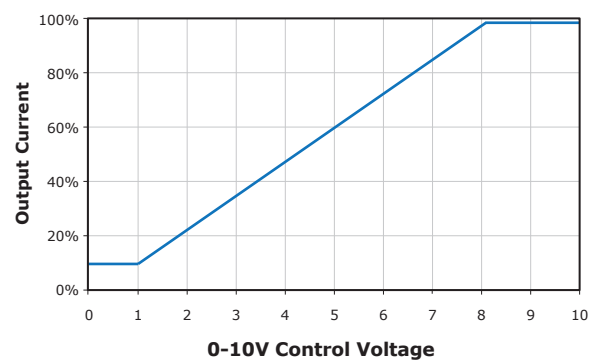
| MODEL | LUMENS | LUMENS/WATT |
|-------|--------|-------------|
| AR10  | 12330  | 128         |
| AR15  | 16290  | 128         |
| AR20  | 20500  | 125         |
| AR25  | 26020  | 119         |
| AR30  | 31590  | 110         |

*Note: 13 alternate optical profiles available upon request.  
Contact Nemalux sales representative for further details. Minimum order quantities, additional costs and lead times may apply.*

## PHOTOMETRICS



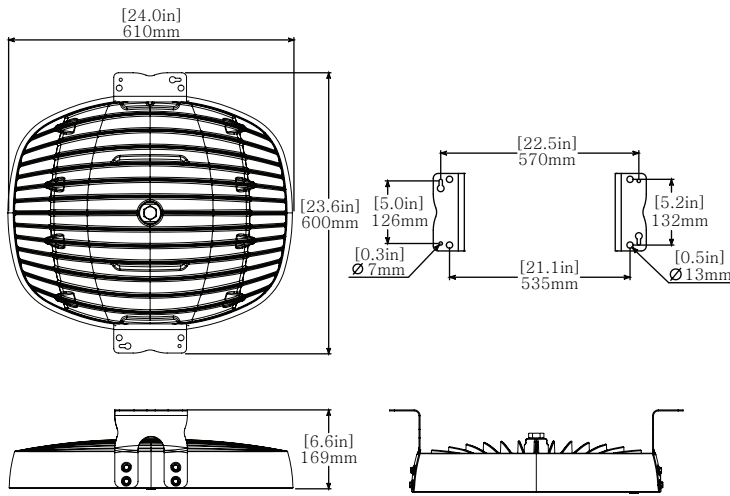
## DIMMING



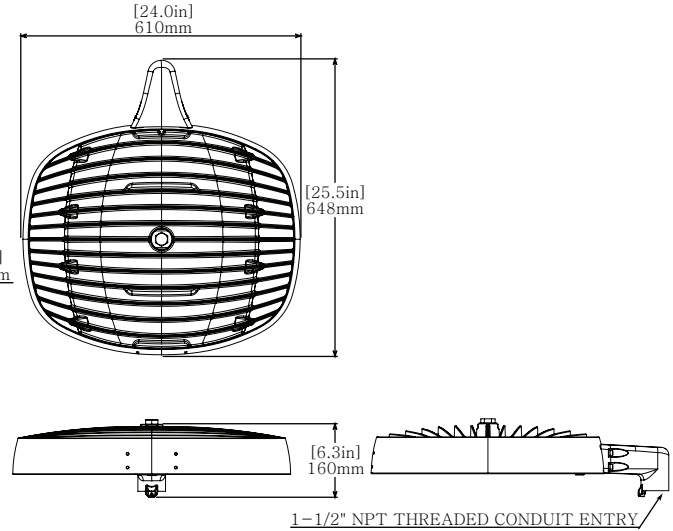
- Driver will source a maximum of 200uA for control needs
- Controller must sink current from the 0-10V control leads

## MOUNTING OPTIONS (Ordered Separately)

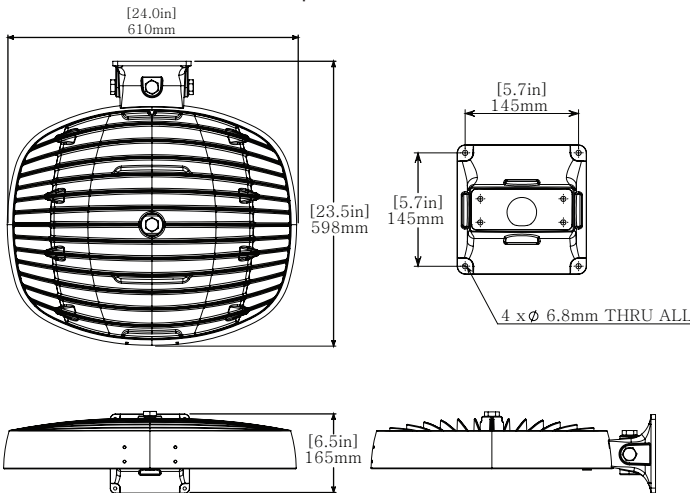
**SURFACE/SUSPENDED MOUNT (AR-SM): 16.8 kg | 37 lbs**



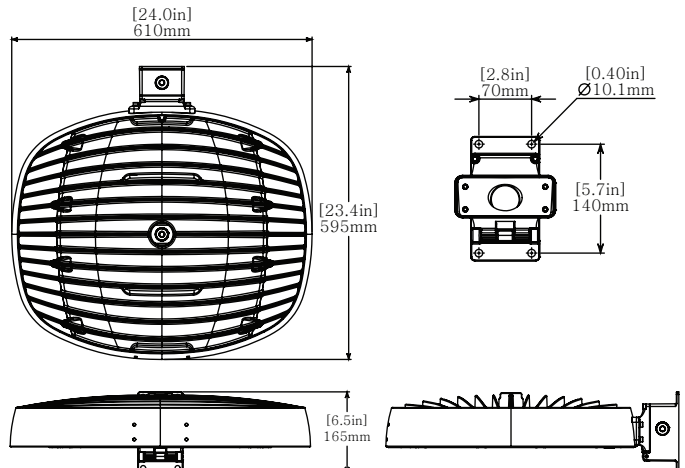
**POLE MOUNT (AR-PM): 17.3 kg | 38 lbs | EPA: 0.07 m<sup>2</sup> / 0.72 ft<sup>2</sup>**



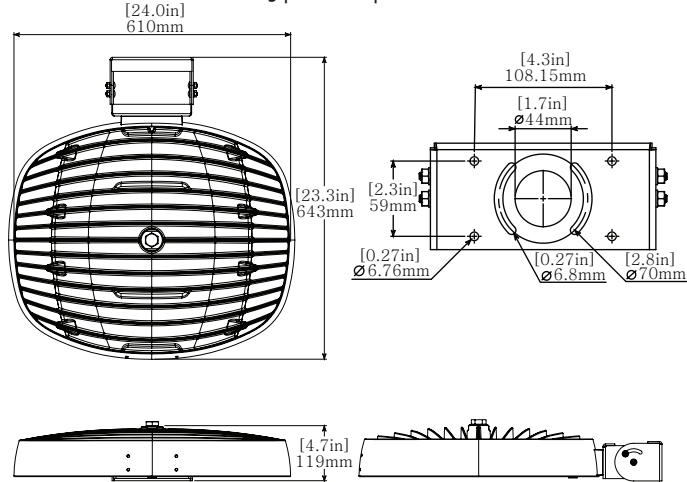
**WALL MOUNT (AR-WM): 17.8 kg | 39.0 lbs**



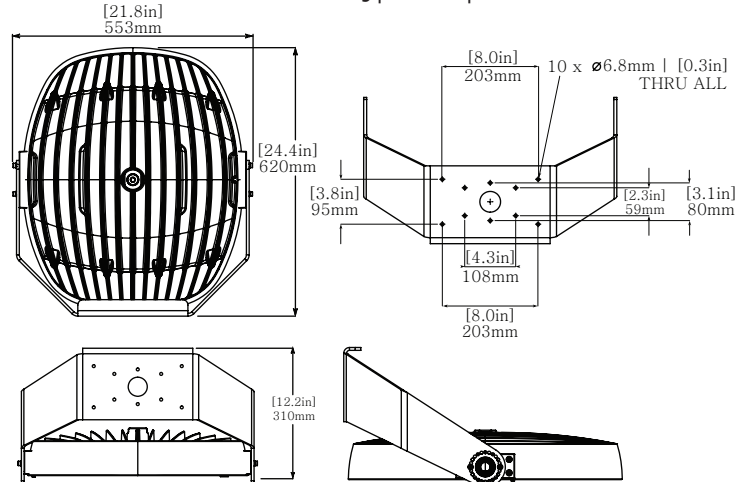
**WALL MOUNT 2 (AR-WM2): 17.6 kg | 38.5 lbs**



**YOKE MOUNT (AR-YM): 18.0 kg | 39.6 lbs | EPA: 0.28 m<sup>2</sup> / 3.06 ft<sup>2</sup>**



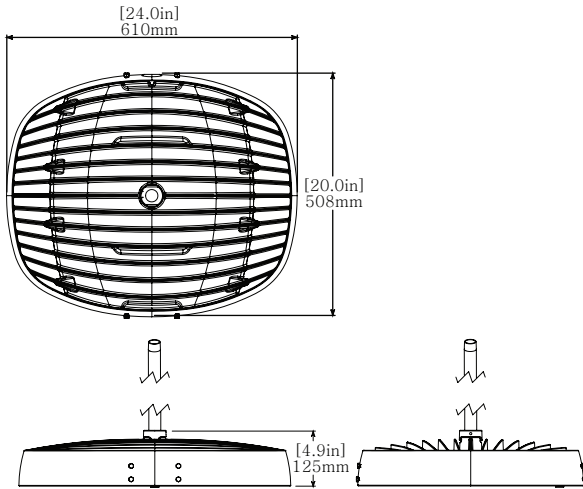
**HIGH VIBRATION YOKE (AR-YK): 23.8 kg | 52.5 lbs | EPA: 0.37 m<sup>2</sup> / 3.97 ft<sup>2</sup>**



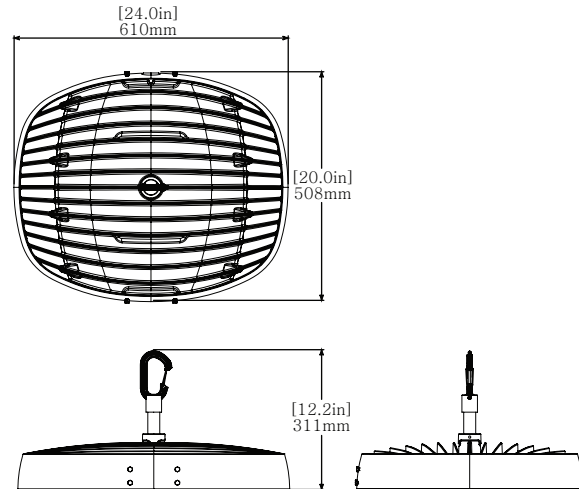
+90°/-90° tilt adjustment

## MOUNTING OPTIONS (Ordered Separately)

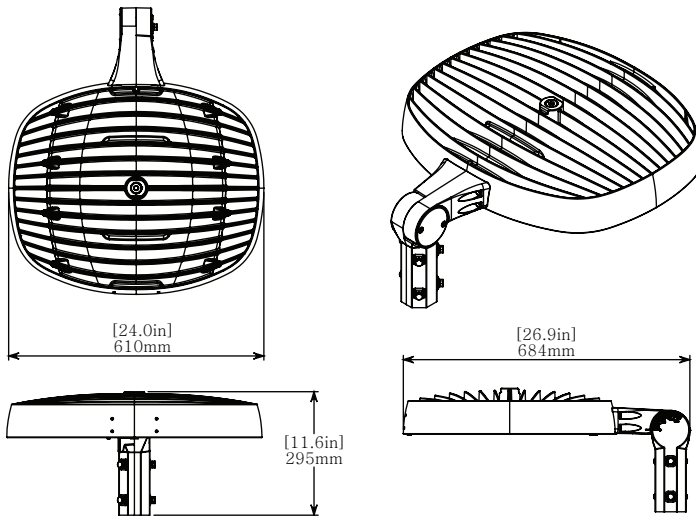
**CONDUIT MOUNT (AR-CM):** 16.4 kg | 36 lbs



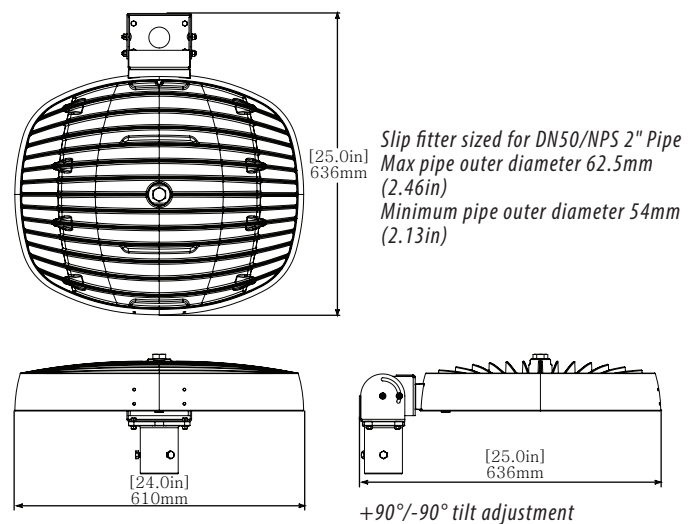
**HOOK PENDANT (AR-HK):** 16.8 kg | 36.9 lbs



**SLIP FITTER YOKE MOUNT (AR-SFY):** 18.35 kg | 40.3 lbs | EPA: 0.3 m<sup>2</sup> / 3.24 ft<sup>2</sup>

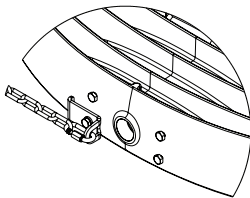


**YOKE MOUNT W/ SLIPFITTER (AR-SF):** 17.3 kg | 38 lbs



Stepped to accept either 1.5" Trade size (1-13/16" [46mm] to 2" [50mm] OD) & 2" Trade size (2-1/8" [53mm] to 2-7/16" [63mm])

## SECONDARY SAFETY KIT (AR-SK-##)



##represents the safety chain length in feet (i.e. 05=5'; 10=10').  
Secondary Safety Kit contains bracket, stainless steel chain (1/8 trade size), and two stainless steel oval threaded connecting links.

### ORDERING INFORMATION

|                  |  |      |
|------------------|--|------|
| PROJECT NAME     |  | TYPE |
| PROJECT LOCATION |  |      |
| COMMENT          |  | DATE |
| PREPARED BY      |  |      |

### MODEL SELECTOR

Sample Number: AR30-50-WC-GY-GN-AC

| MODEL   | COLOUR  | OPTIC  | FINISH   | LOCATION              | POWER                              |
|---|---|--|--|-----------------------|------------------------------------|
| -   | -   | -  | -  | GN                    | -                                  |
| AR10 <sup>7</sup><br>AR15 <sup>7</sup><br>AR20 <sup>7</sup><br>AR25 <sup>7</sup><br>AR30 <sup>7</sup> | 50 - 5000K<br>Special Order:<br>27 - 2700K <sup>1,3</sup><br>27H - 2700K High CRI <sup>1,3</sup><br>30 - 3000K <sup>1,3</sup><br>30H - 3000K High CRI <sup>1,3</sup><br>35 - 3500K <sup>1</sup><br>35H - 3500K High CRI <sup>1</sup><br>40 - 4000K <sup>1</sup><br>40H - 4000K High CRI <sup>1</sup><br>50H - 5000K High CRI <sup>1</sup><br>57 - 5700K <sup>1</sup><br>57H - 5700K High CRI <sup>1</sup><br>65 - 6500K <sup>1</sup><br>65H - 6500K High CRI <sup>1</sup> | WC - Wide Beam (No optics)<br>Special Order:<br>T1 - IESNA Type 1 <sup>1</sup><br>T2 - IESNA Type 2 <sup>1</sup><br>T3 - IESNA Type 3 <sup>1</sup><br>T4 - IESNA Type 4 <sup>1</sup><br>T5 - IESNA Type 5 <sup>1</sup><br>SC - Spot 18° <sup>1</sup><br>TC - Tight 32° <sup>1</sup><br>MC - Medium 50° <sup>1</sup><br>OC - Oval 26° x 108° <sup>1</sup><br>PX - Asymmetric 20° x 80° w/ 45° forward kick <sup>1</sup><br>FN - Asymmetric 90° x 22° w/ 45° forward kick <sup>1</sup><br>2W - Asymmetric 135° x 55° w/ 25° forward kick <sup>1</sup><br>3W - Asymmetric 155° x 55° w/ 30° forward kick <sup>1</sup><br>W1 - Asymmetric 150° x 52° w/ 30° forward kick <sup>1</sup><br>DN - Asymmetric 105° x 55° w/ 25° forward kick <sup>1</sup><br>XW - Asymmetric 135° x 170° w/ 75° forward kick <sup>1</sup><br>VSM - IESNA Type 5 (Square beam for wide area lighting) <sup>1</sup> | GY - Grey<br><br>Custom finishes are available. Please contact for details. <sup>1</sup> | GN - General Location | AC - 120-277VAC<br>HV - 347-480VAC |

### ACCESSORIES (Order Separately)

Sample Number: AR-WM-GY

| ACCESSORY  | FINISH   |
|--|--|
| -  | GY   |
| AR-SM - Surface Mount <sup>2</sup><br>AR-WM - Wall Mount <sup>3</sup><br>AR-WM2 - Wall Mount 2 <sup>3</sup><br>AR-HK - Hook Pendant Mount<br>AR-PM - Pole Mount <sup>3</sup><br>AR-YM - Yoke Mount <sup>2</sup><br>AR-YK - High Vibration Yoke Mount <sup>2</sup><br>AR-CM - Conduit Mount <sup>3</sup><br>AR-SFY - Slip Fitter Yoke Mount<br>AR-SK-## - Secondary Safety Kit <sup>1,2,4</sup><br>AR-SP-AC - Surge Suppressor <sup>6</sup><br>AR-SP-HV - Surge Suppressor <sup>6</sup> | GY - Grey<br><br>Custom finishes available. Please contact for details. <sup>1,2</sup> |

#### NOTES:

- Minimum order quantities, additional costs and lead times may apply.
- Only available in stainless steel finish.
- IDA Fixture Seal of Approval only applies to fixtures with a CCT of 3000K or less, and have fixed mounts aiming the fixture perpendicular to the ground.
- ## represents the safety chain length in feet (i.e. 05=5', 10=10').  
Secondary Safety Kit contains bracket, stainless steel chain (1/8 trade size), and two stainless steel oval threaded connecting links.

#### 5. DLC Listed models:

| DesignLights Consortium (DLC) v5.1 Qualified LED Luminaire Listings |                    |                     |                |
|---|--------------------|---------------------|----------------|
| Model No.   | Category           | General Application | Classification |
| AR10-50-WC-xx-xx-AC   | Outdoor Luminaires | High Output         | DLC Premium    |
|   | Indoor Luminaires  | High-Bay            | DLC Standard   |
| AR15-50-WC-xx-xx-[AC,HV]  | Outdoor Luminaires | High Output         | DLC Premium    |
|   | Indoor Luminaires  | High-Bay            | DLC Standard   |
| AR20-50-WC-xx-xx-[AC,HV]  | Outdoor Luminaires | High Output         | DLC Premium    |
|   | Indoor Luminaires  | High-Bay            | DLC Standard   |
| AR25-50-WC-xx-xx-[AC,HV]  | Outdoor Luminaires | High Output         | DLC Premium    |
|   | Indoor Luminaires  | High-Bay            | DLC Standard   |
| AR30-50-WC-xx-xx-[AC,HV]  | Outdoor Luminaires | Very High Output    | DLC Premium    |
|   | Indoor Luminaires  | High-Bay            | DLC Standard   |

#### 6. Surge Suppressor Options:

|  |
|--|
| <p><b>AR-SP-AC – 277V FOR USE WITH -AC AR MODELS</b></p> <p>-Protects against surges and transients per ANSI C62.41-2002 category C high (10KV, 1.2/50µS &amp; 10KA, 8/20µS) standard Combo waves and (6KV, 100KHz) Ring wave</p> <p>-Protects against surges and transients per new ANSI C82.77-5 2015 category C high (20KV, 1.2/50µS &amp; 10KA, 8/20µS) standard Combo waves and (6KV, 100KHz) Ring wave</p> |
| <p><b>AR-SP-HV – 480V FOR USE WITH -HV AR MODELS</b></p> <p>-Protects against surges and transients per ANSI C62.41-2002 category C high (10KV, 1.2/50µS &amp; 10KA, 8/20µS) standard Combo waves and (6KV, 100KHz) Ring wave</p> <p>-Protects against surges and transients per new ANSI C82.77-5 2015 category C high (20KV, 1.2/50µS &amp; 10KA, 8/20µS) standard Combo waves and (6KV, 100KHz) Ring wave</p> |